



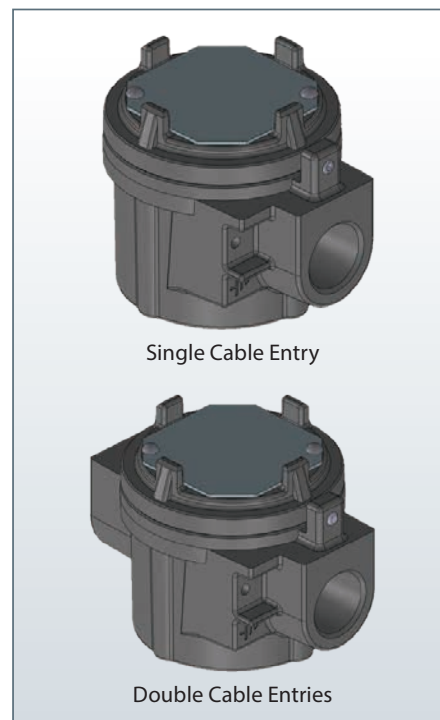
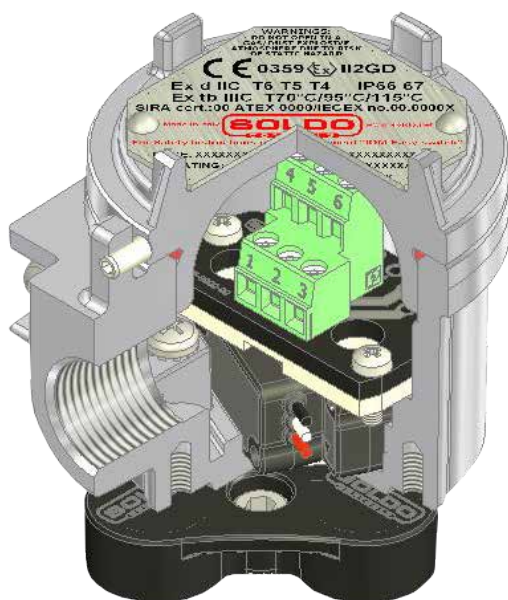
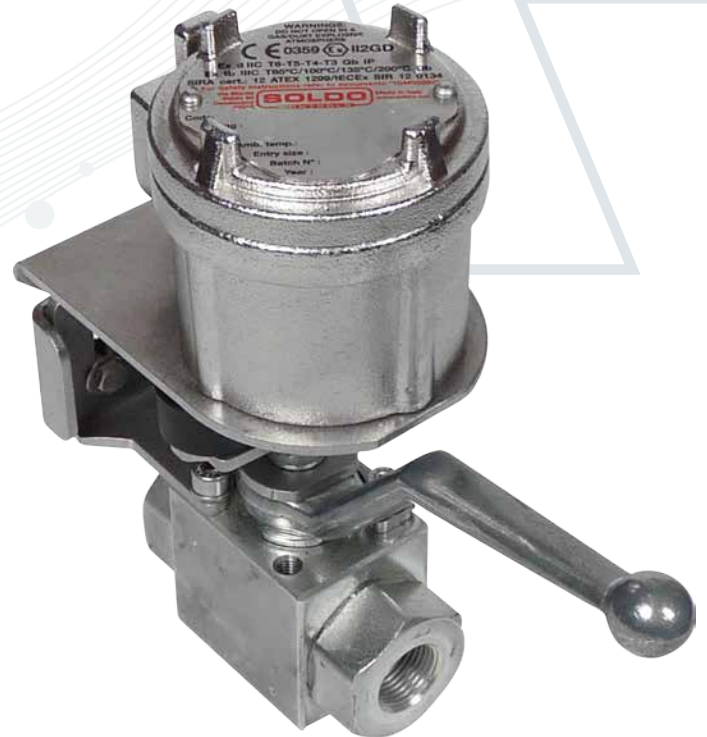
## Easy Switch

Hazardous area limit switch box for manual valve applications. Explosionproof enclosure, in copper free aluminum or 316 stainless steel, handles the most demanding application in hostile environments.

The Easy switch box uses two magnetic sensors to provide electronic feedback to the control room. An easy to mount magnetic target operates the switches.

### Unique Design Features

- Compact position indication on all manual valves
- Adaptable mounting kit for all applications
- Easily links to the valve with the durable glass reinforced magnetic holder
- Wires through the terminal PCB for easy connection
- Easy to open threaded lid design for manual removal of the cover
- One or two cable entries for versatile use
- Polyester powder coated copper free aluminium housing
- 316 stainless steel housing version for harsh environments
- NOVA V3 switch option for high power rating use.



*Linking the Process  
with the Control Room*

# Product Specification

## Certifications

ATEX, IECEx, EAC, INMETRO

Ex II 2GD

Ex d IIC T6/T5/T4 Gb

Ex tb IIC T85/T100/T120 °C Db

Ta = -65 °C ≤ Ta ≤ 105 °C

## SIL rating:

up to SIL 2 approval on request

## UL:

Class I, Division 1 and 2, Groups A, B, C and D

Class II, Division 1 Groups E, F and G

Class II Division 2, Groups F and G

## Protection rating

IP66 / 67

IP66 / 68 (15 meters for 70 hours)

## Cable Entry Options

Standard – Single cable entry

Optional – Two cable entries for the following dimensions:

- M20 x 1,5
- 1/2" NPT

## Switch Selection:

### NOVA V3 N1

To be chosen with following requirements:

- Hermetically sealed proximity switch
- High power loop:  
Rating up to 5A @ 250 VAC - 5A @ 28 VDC
- Temperature range: -50 to +105 °C



### NOVA V3 N3

- Hermetically sealed proximity switch
- Gold plated contacts
- Rating up to 1A @ 250 VAC - 1A @ 30 VDC
- Temperature range: -50 to +105 °C

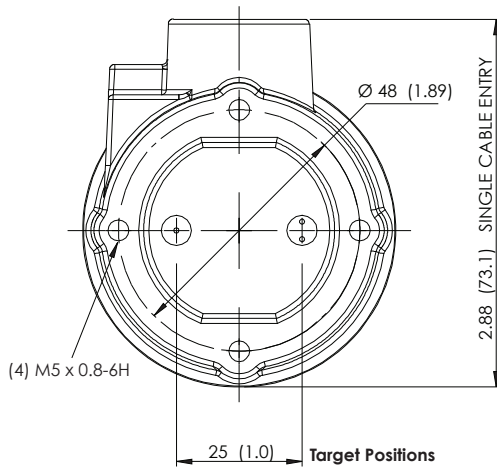
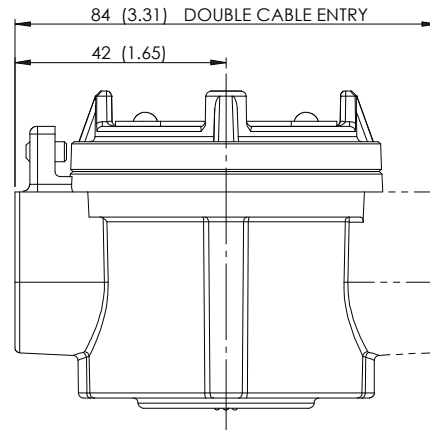
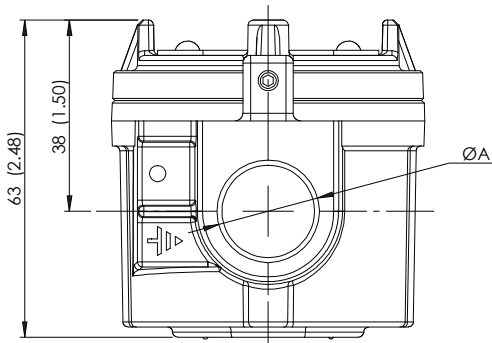


### REED C4

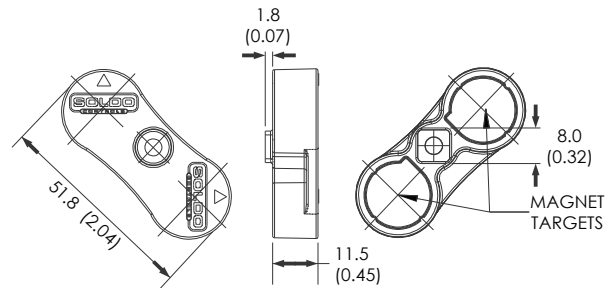
- Hermetically sealed proximity reed switch
- Inert gas contact chamber
- Rating up to 1A @ 24 VDC
- Temperature range: -60 to +105 °C



## Dimensional Data



## MAGNET CARRIER

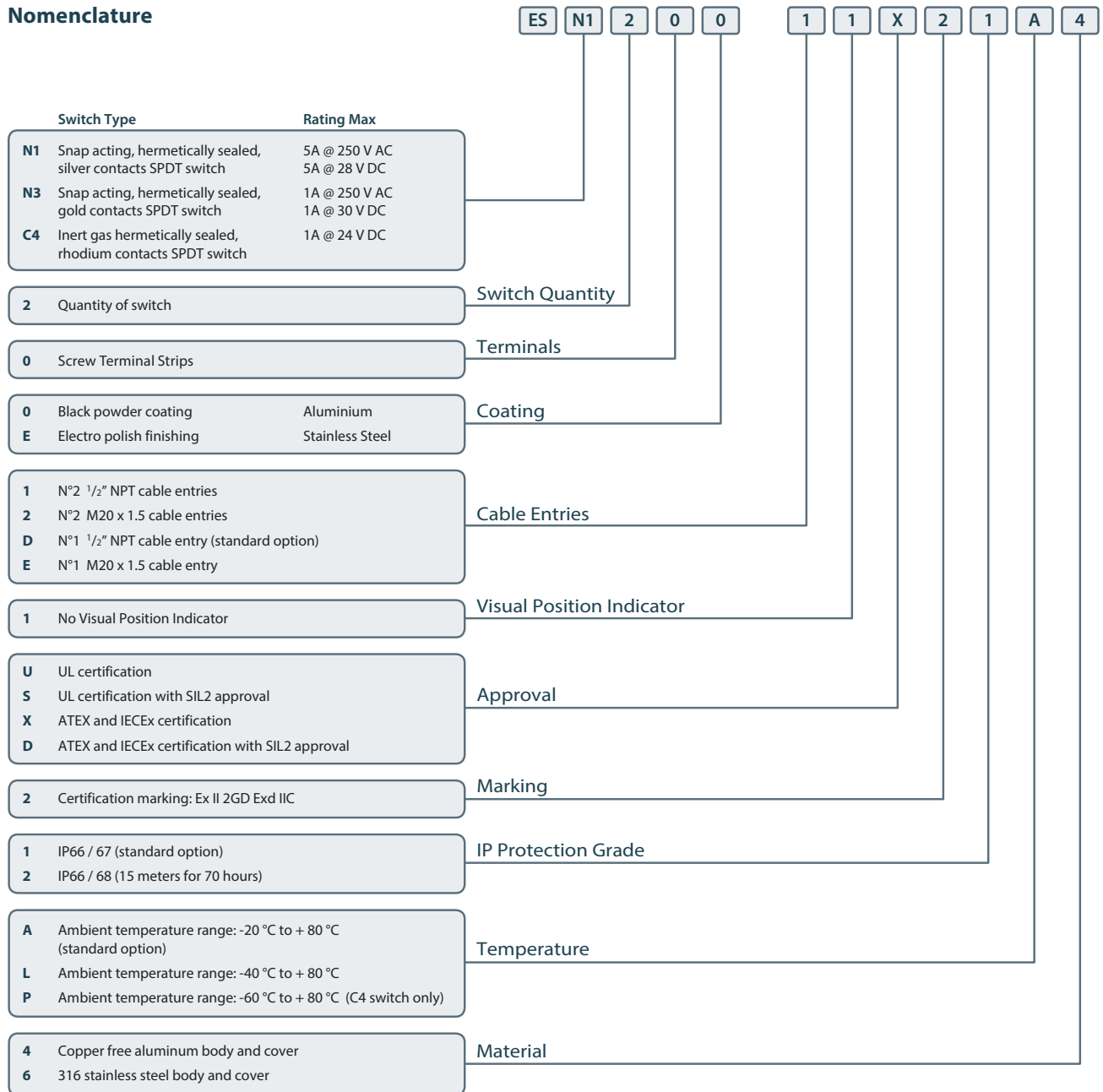


## Contact factory for bracket information

Value of diameter 'A'	
Type	ØA
01	1/2" NPT
02	M20 x 1.5

# Product Ordering Matrix

## Nomenclature





[www.soldo.net](http://www.soldo.net)

**Europe**

Soldo SRL  
60, Via Monte Baldo 25015  
Desenzano Del Garda  
Brescia, Italy

Tel: +39 030 9991309  
Fax: +39 030 91419779  
Email: [sales@soldo.net](mailto:sales@soldo.net)

**USA**

Soldo USA LLC  
3920 Westpoint Blvd.  
Winston-Salem  
NC 27103

Tel: +1 (336) 659 3400  
Fax: +1 (336) 659 9323  
Email: [sales@soldousa.com](mailto:sales@soldousa.com)

PUB109-006-00  
Issue Date 11/14

As part of a process of on-going product development, Soldo reserves the right to amend and change specifications without prior notice. Published data may be subject to change. For the very latest version release, visit our website at [www.soldo.net](http://www.soldo.net)

The name Soldo® is a registered trademark. Soldo recognizes all registered trademarks.  
Published and produced in the UK by Soldo. POWSH1014

