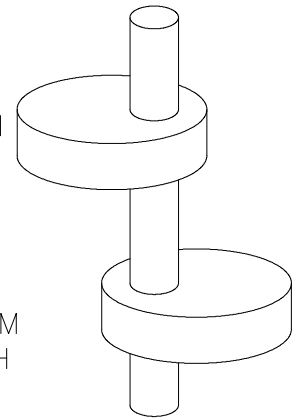
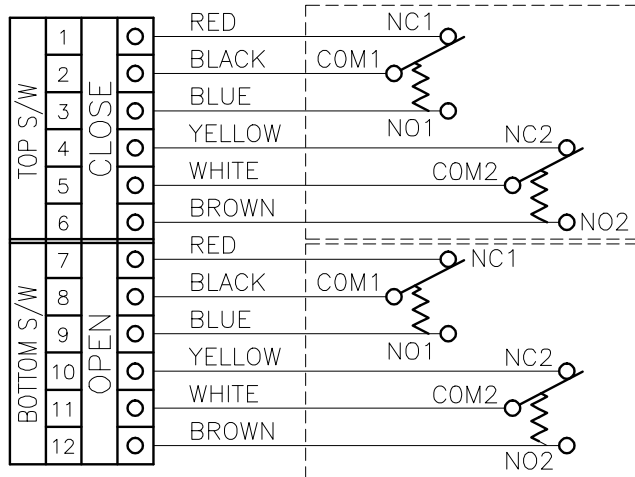
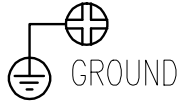
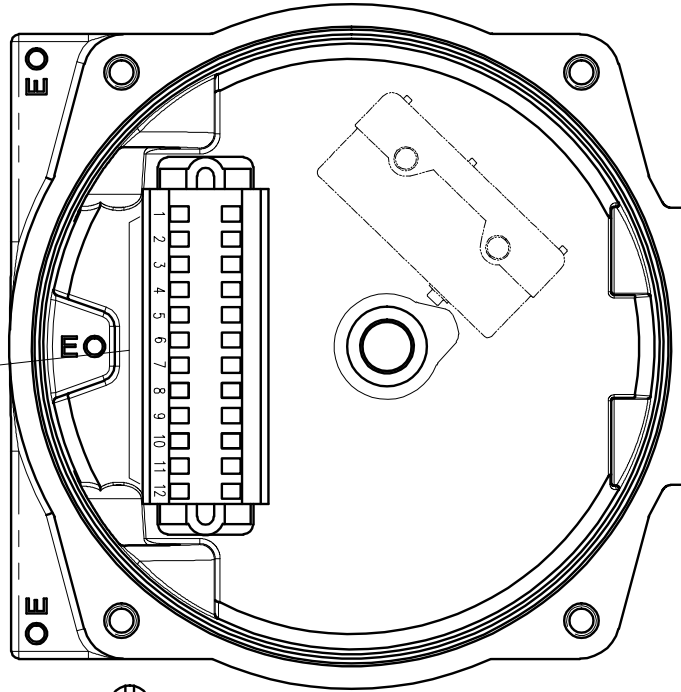



REV.NO.	REVISION DESCRIPTION	DRAWN / DATE	REVIEWED / DATE	APPROVED / DATE
△	FIRST ISSUED	KBJ/120207		JCS/120207
!				



PROJECT NAME **2DPDT**

SURFACE TEXTURE		PRODUCT NAME LIMIT SWITCH BOX		 YOUNG TECH CO., LTD. SEOUL, KOREA	
FINISH TREATMENT		MODEL YT-870			
MATERIAL		PROJECTION	SCALE	TITLE YT-870 WIRING DIAGRAM	
OTHERWISE NOTE	GENERAL TOLERANCE	QUANTITY	SHEET No.	DRAWING NO. 870-02	REV. 0