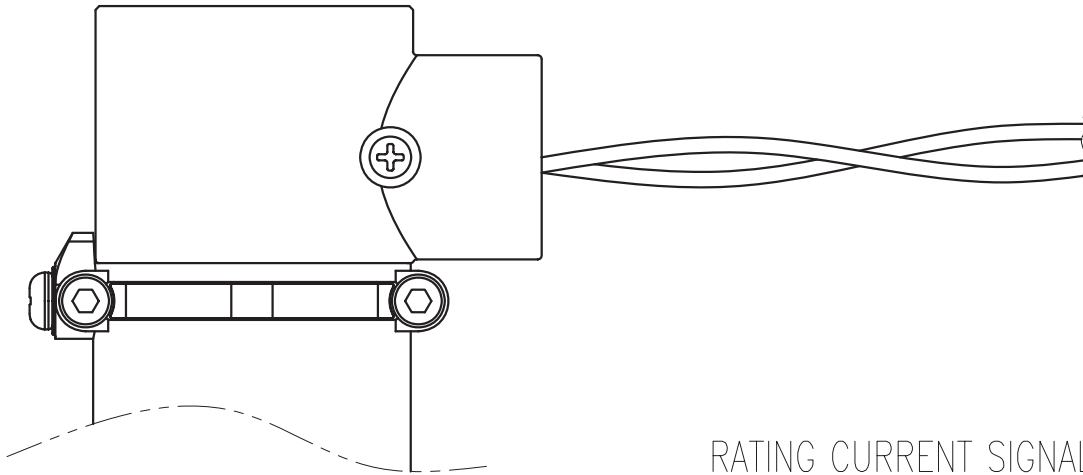
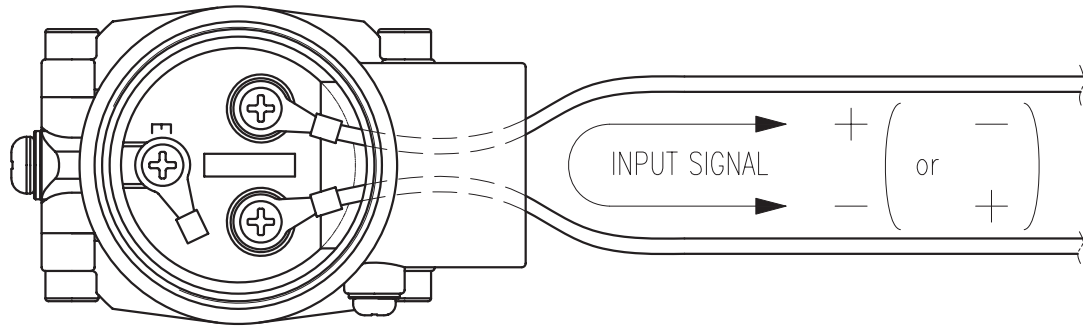



REV.NO.	REVISION DESCRIPTION	DRAWN / DATE	REVIEWED / DATE	APPROVED / DATE
△	FIRST ISSUED	LHG/050124	KCH/050124	LYH/050124
△				



RATING CURRENT SIGNAL

VOLTAGE \ TYPE	YT-700S (3WAY)	YT-700D (4WAY)
DC 24V	100mA	63mA
AC 110V	160mA	70mA
AC 220V	290mA	160mA

PROJECT NAME -

SURFACE TEXTURE		PRODUCT NAME <b>AIR SOLENOID VALVE</b>		 <b>YOUNG TECH CO., LTD.</b> <small>SEOUL, KOREA</small>	
FINISH TREATMENT		MODEL <b>YT-700</b>		TITLE <b>YT-700 (S or D) WIRING DIAGRAM</b>	
MATERIAL		PROJECTION	SCALE	DRAWING NO. <b>700</b>	
OTHERWISE NOTE	GENERAL TOLERANCE	QUANTITY	SHEET No.	REV. <b>0</b>	