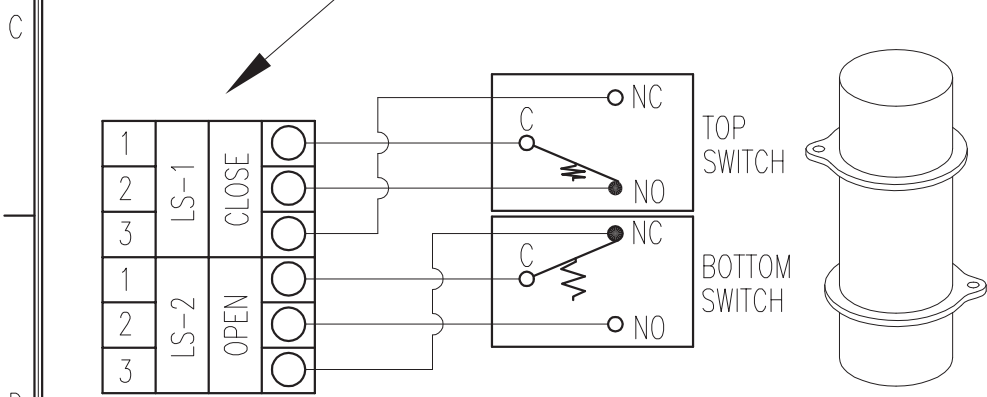
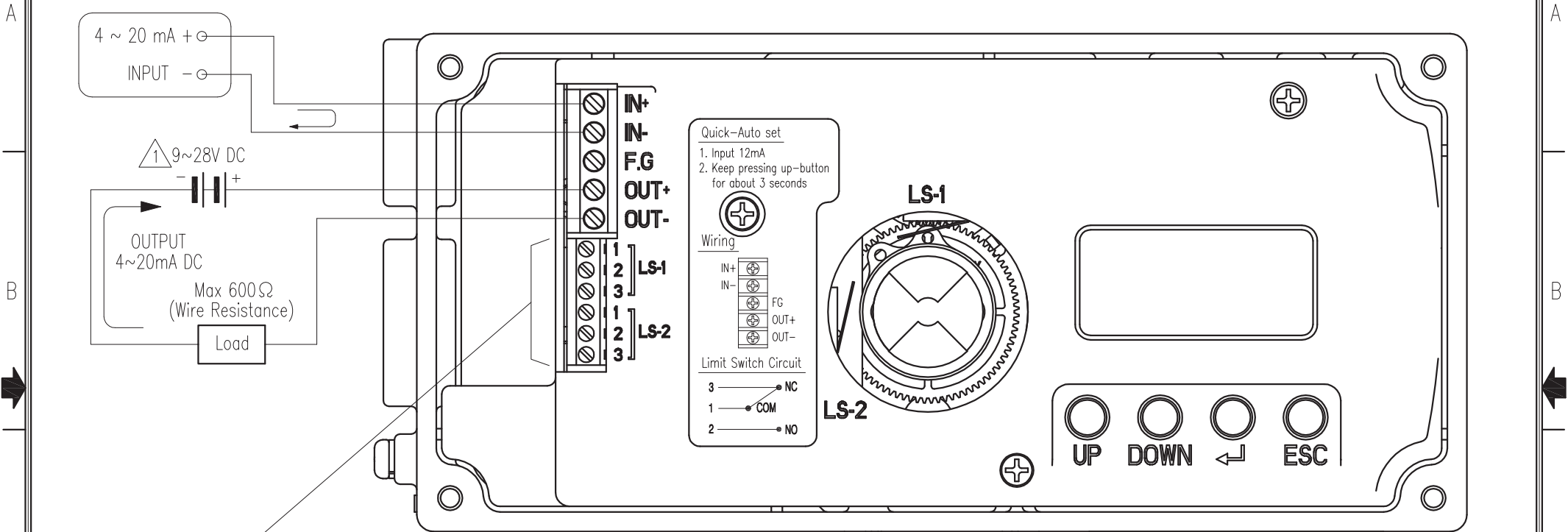



REV.NO.	REVISION DESCRIPTION	DRAWN / DATE	REVIEWED / DATE	APPROVED / DATE
0	First Issued	KCH/110618	JCS/110618	LYH/110618
1	DRAWING ARRANGEMENT	KBJ/121106	JCS/121106	LYH/121106



* Micro Switch Rating
AC 125V 3A / DC 30V 2A

PROJECT NAME **Mechanical**

SURFACE TEXTURE		PRODUCT NAME SMART POSITIONER		 YOUNG TECH CO., LTD. <small>SEOUL, KOREA</small>	
FINISH TREATMENT		MODEL YT-3300			
MATERIAL		PROJECTION	SCALE	TITLE YT-3300+Ptm+L/s (Internal) WIRING DIAGRAM	
OTHERWISE NOTE	GENERAL TOLERANCE	QUANTITY	SHEET No.	DRAWING NO. 3300-03	REV. 1