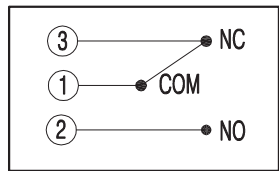
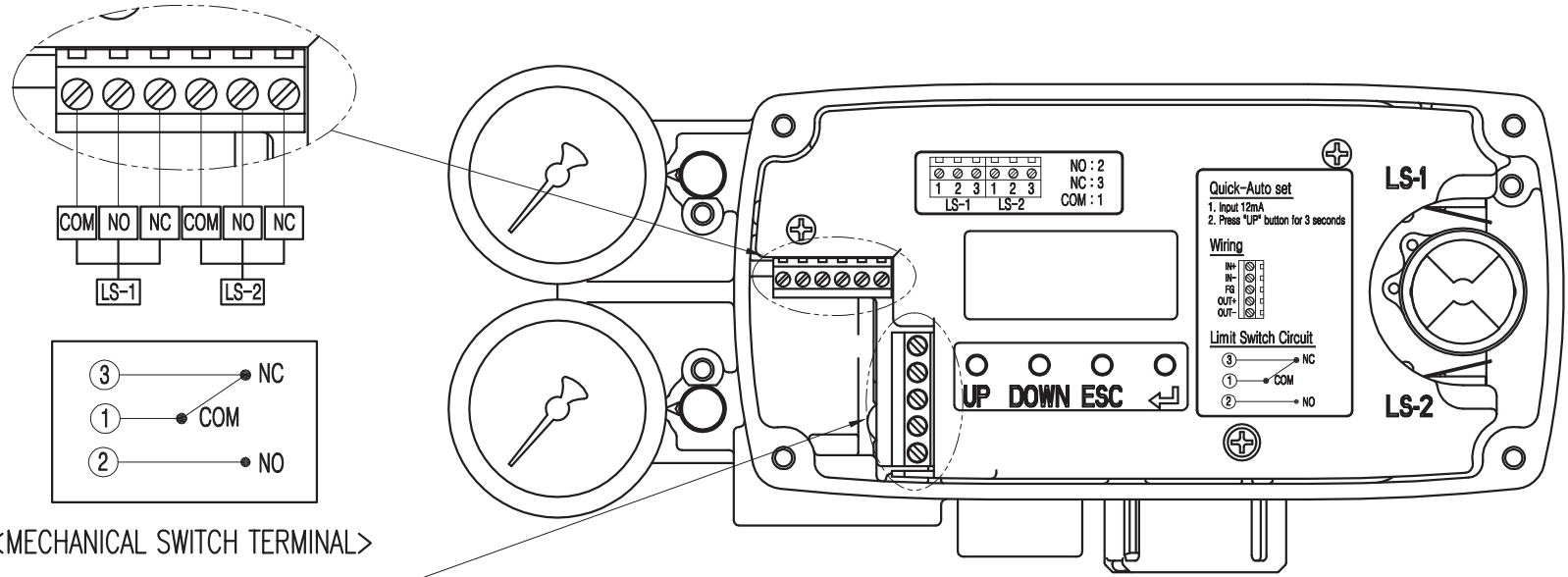
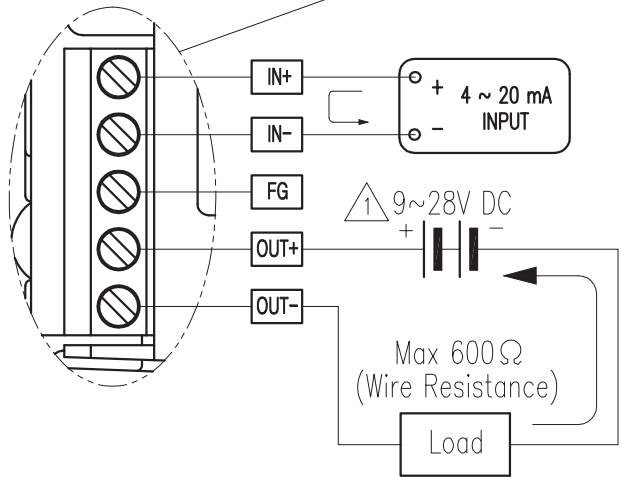


| REV.NO. | REVISION DESCRIPTION | DRAWN / DATE | REVIEWED / DATE | APPROVED / DATE |
|---------|----------------------|--------------|-----------------|-----------------|
| △0      | First Issued         | KCH/110618   | JCS/110618      | LYH/110618      |
| △1      | DRAWING ARRANGEMENT  | KBJ/121106   | JCS/121106      | LYH/121106      |



<MECHANICAL SWITCH TERMINAL>



\* Micro Switch Rating  
AC 125V 3A / DC 30V 2A

PROJECT NAME MECHANICAL

|                  |  |                                  |          |  |           |
|------------------|--|----------------------------------|----------|--|-----------|
| SURFACE TEXTURE  |  | PRODUCT NAME<br>SMART POSITIONER |          | YOUNG TECH CO., LTD.<br>SEOUL, KOREA                 |           |
| FINISH TREATMENT |  | MODEL<br>YT-2500                 |          |  |           |
| MATERIAL         |  | PROJECTION                       | SCALE    | TITLE<br>YT-2500+PTM+L/S(internal)<br>WIRING DIAGRAM |           |
| OTHERWISE NOTE   |  | GENERAL TOLERANCE                | QUANTITY | DRAWING NO.<br>2500-03                               | REV.<br>1 |