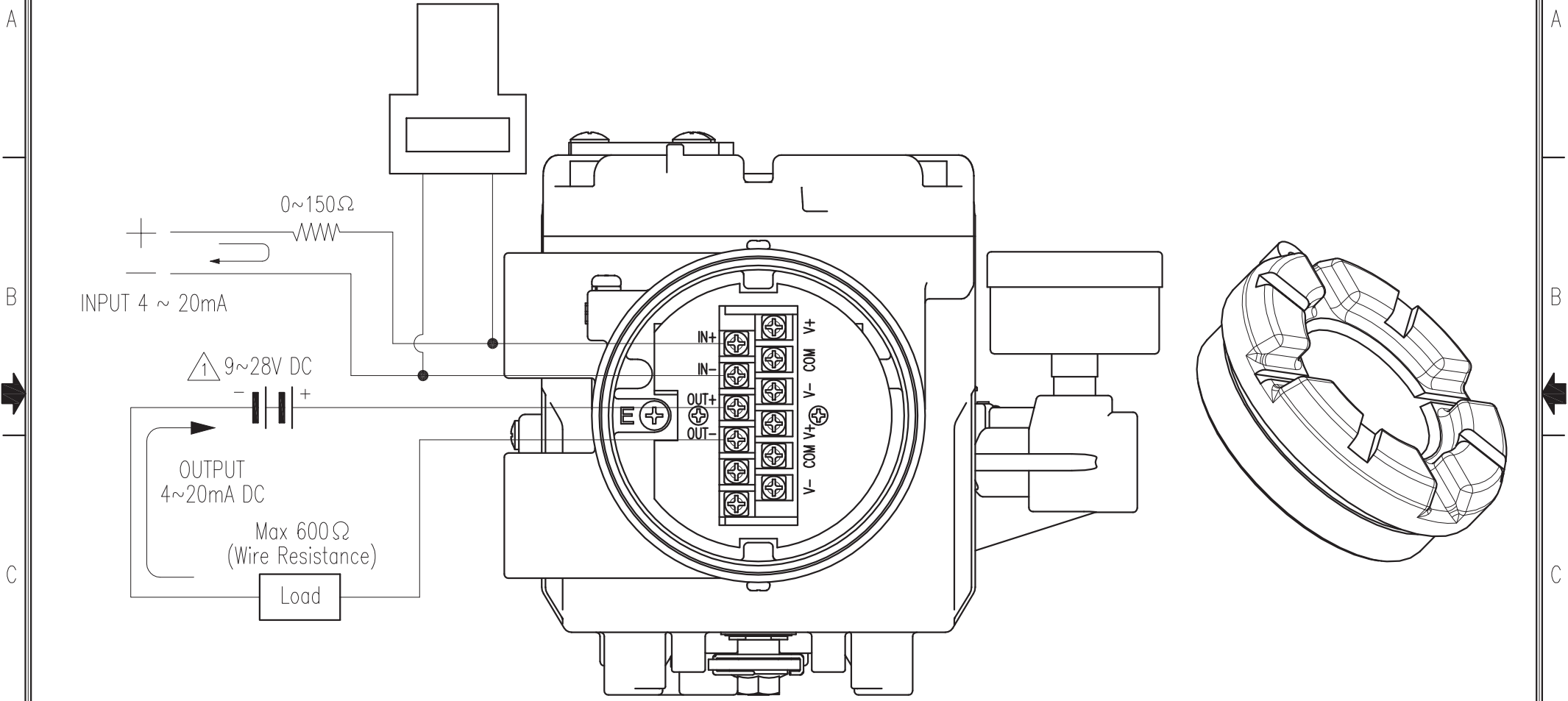


REV.NO.	REVISION DESCRIPTION	DRAWN / DATE	REVIEWED / DATE	APPROVED / DATE
0	First Issued	OSS/120303	KCH/120303	JCS/120303
1	DRAWING ARRANGEMENT	KBJ/121106	JCS/121106	LYH/121106

HHT or HART MODEM



PROJECT NAME -



SURFACE TEXTURE		PRODUCT NAME <b>SMART POSITIONER</b>			
FINISH TREATMENT		MODEL <b>YT-2400</b>			
MATERIAL		PROJECTION	SCALE	TITLE <b>YT-2400 HART+PTM WIRING DIAGRAM</b>	
OTHERWISE NOTE	GENERAL TOLERANCE	QUANTITY	SHEET No.	DRAWING NO. <b>2400-06</b>	REV. <b>1</b>