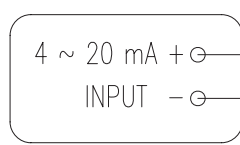


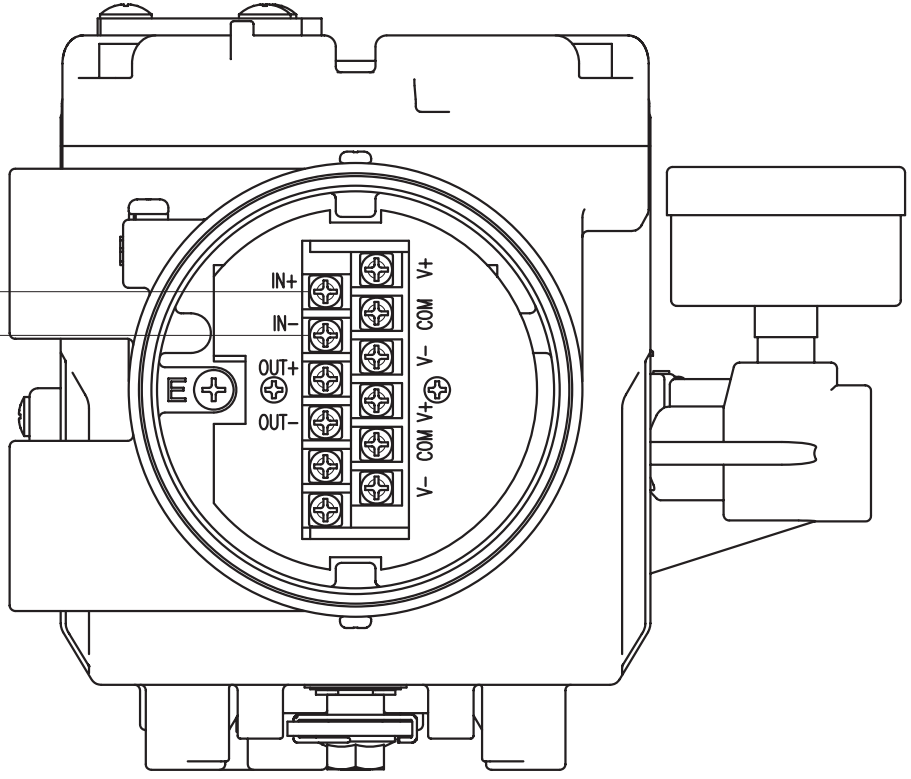
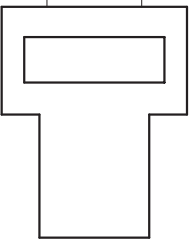
REV.NO.	REVISION DESCRIPTION	DRAWN / DATE	REVIEWED / DATE	APPROVED / DATE
△0	FIRST ISSUED	KCH/110915	JCS/110915	LYH/110915
△1				




0~150Ω



HHT or HART MODEM



PROJECT NAME -

SURFACE TEXTURE		PRODUCT NAME SMART POSITIONER		 YOUNG TECH CO., LTD.	
FINISH TREATMENT		MODEL YT-2400			
MATERIAL		PROJECTION	SCALE	TITLE YT-2400+HART WIRING DIAGRAM	
OTHERWISE NOTE	GENERAL TOLERANCE	QUANTITY	SHEET No.	DRAWING NO. 2400-05	REV. 0

MIEPL
INDIAN SALES PARTNER