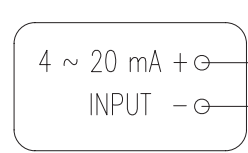
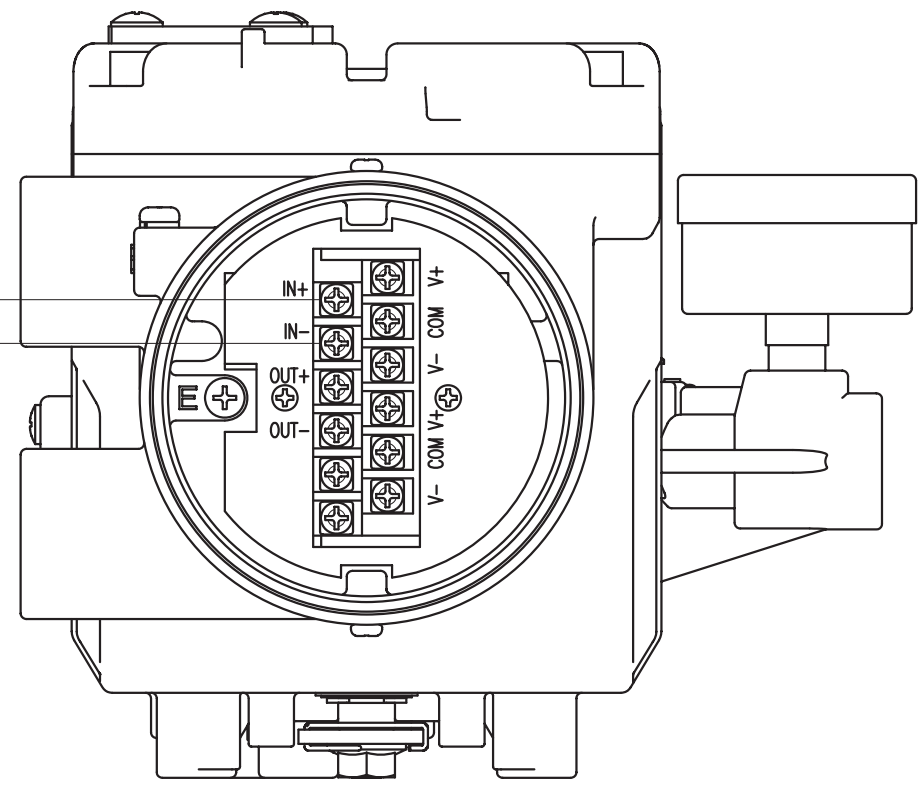
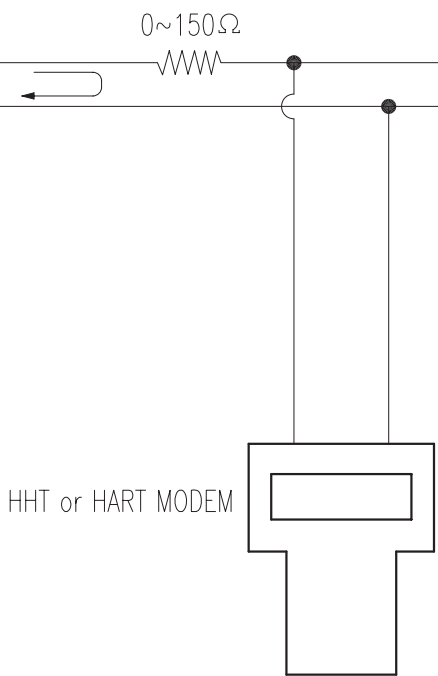



REV.NO.	REVISION DESCRIPTION	DRAWN / DATE	REVIEWED / DATE	APPROVED / DATE
△0	FIRST ISSUED	KCH/110915	JCS/110915	LYH/110915
△1				



0~150Ω



PROJECT NAME -

SURFACE TEXTURE		PRODUCT NAME <b>SMART POSITIONER</b>		 <b>YOUNG TECH CO., LTD.</b>	
FINISH TREATMENT		MODEL <b>YT-2400</b>			
MATERIAL		PROJECTION	SCALE	TITLE <b>YT-2400+HART WIRING DIAGRAM</b>	
OTHERWISE NOTE	GENERAL TOLERANCE	QUANTITY	SHEET No.	DRAWING NO. <b>2400-05</b>	REV. <b>0</b>

**MIEPL**  
INDIAN SALES PARTNER