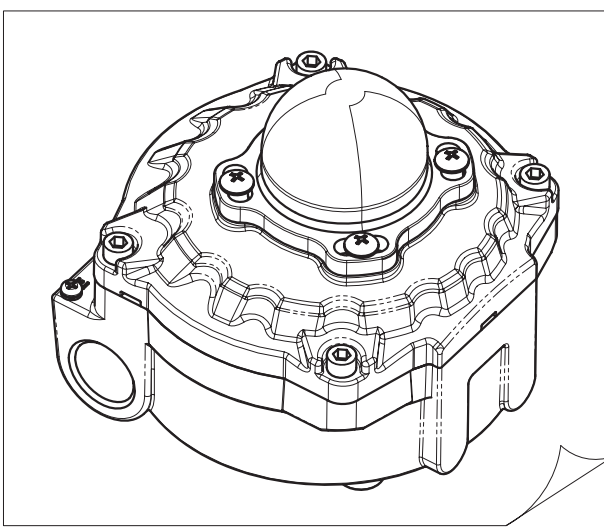
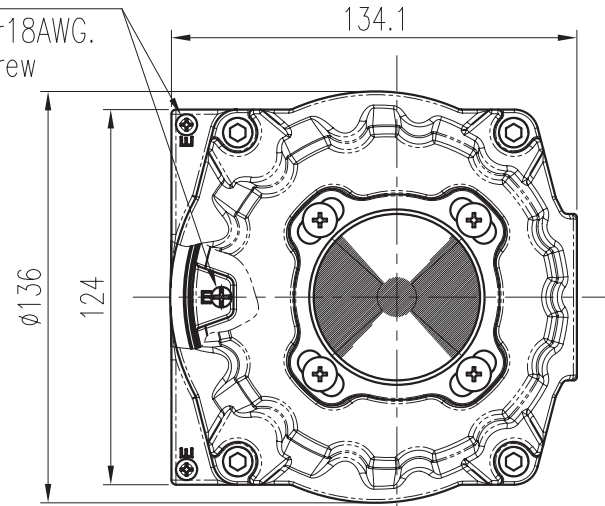
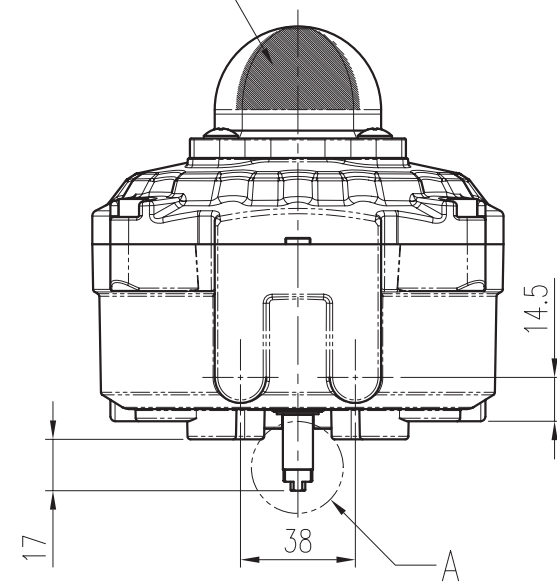
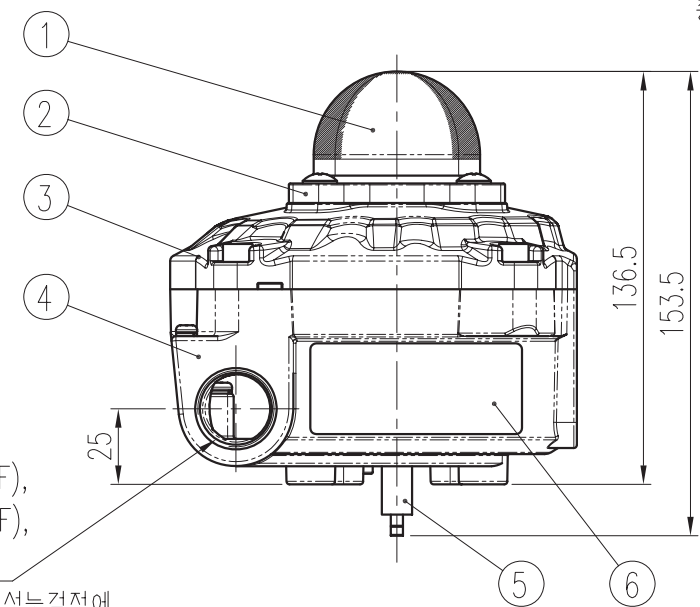


REV.NO.	REVISION DESCRIPTION	DRAWN / DATE	REVIEWED / DATE	APPROVED / DATE
△	최초 작성	허성수/081009	정찬성/081009	이용희/081009
△				

- Earth (External, Internal)
1. Minimum Size Wire 1mm² or 18AWG.
 2. M4*5 0.7P Round Head Screw
 3. M4 Spring washer

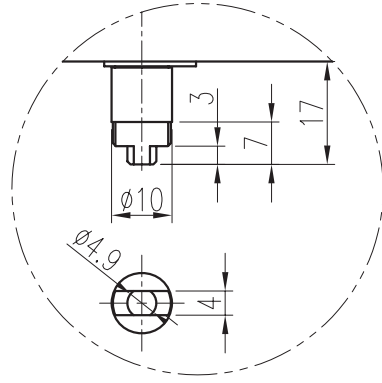
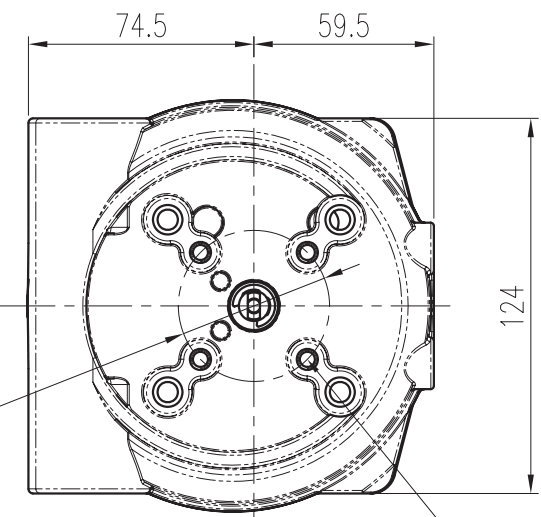


COVER INDICATOR(PC)
총 표면적 : 92.5 cm²



2-1/2(NPT, PT, PF),
3/4(NPT, PT, PF),
M20

전원 연결 시 반드시 성능검정에
합격된 내압방폭구조 실링피팅이나
내압방폭구조 케이블글랜드를 사용할 것.



Specification

Model		YT-870M	YT-870P	YT-870D
LIMIT SWITCH	Switch Type	Mechanical Switch(2*SPDT)		Inductive Proximity Sensor
	Switch Rating	SS5GL (Omron)	SS10GL (Omron)	PS17-50NU (Autonics)
				NJ2-V3-N (P&F)
				DZ-10G-1B (Omron)
	Terminal	8 Point		12 Point
Enclosure Protection		Weather proof. IP67		
Explosion Proof		Ex d IIC T6		
Ambient Temp.		-20°C ~ 60°C		
Conduit Entry		2 - 1/2(NPT, PT, PF), 3/4(NPT, PT, PF), M20		
Mounting Bracket		NAMUR VDI / VDE 3845, ISO 5211		
Material		Aluminum Die casting		
Weight		1.5kg (3.3lb)		
The internal free volume		530 cm ³	560 cm ³	570 cm ³

* Based on temperature 20°C, absolute pressure 760mmHg and relative humidity 65%

6	PLATE NAME	2M CH PET	1
5	SHAFT MAIN	STS303	1
4	BODY BASE	ALDC12	1
3	COVER BASE	ALDC12	1
2	COVER INDICATOR	Poly-carbonate(PC)	1
1	INDICATOR	ABS	1
NO.	NAME	MATERIAL	Q'TY.



SURFACE-TEXTURE	PRODUCT NAME	LIMIT SWITCH BOX		PROJECT NAME	
FINISH-TREATMENT	MODEL	YT-870		TITLE	
MATERIAL	PROJECTION	3rd	SCALE	LIMITS SWITCH BOX Ass'Y	
OTHERWISE NOTE	GENERAL TOLERANCE	QUANTITY	1	DRAWING NO.	YTC-A3
				REV.	0