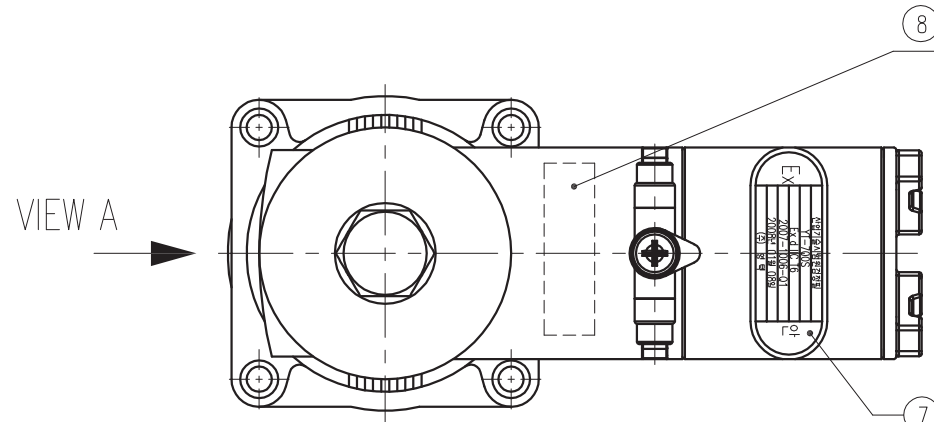


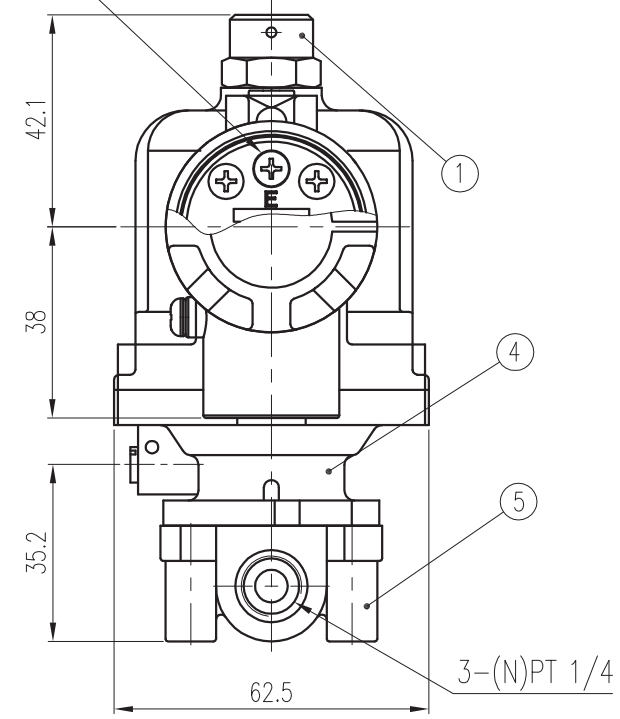
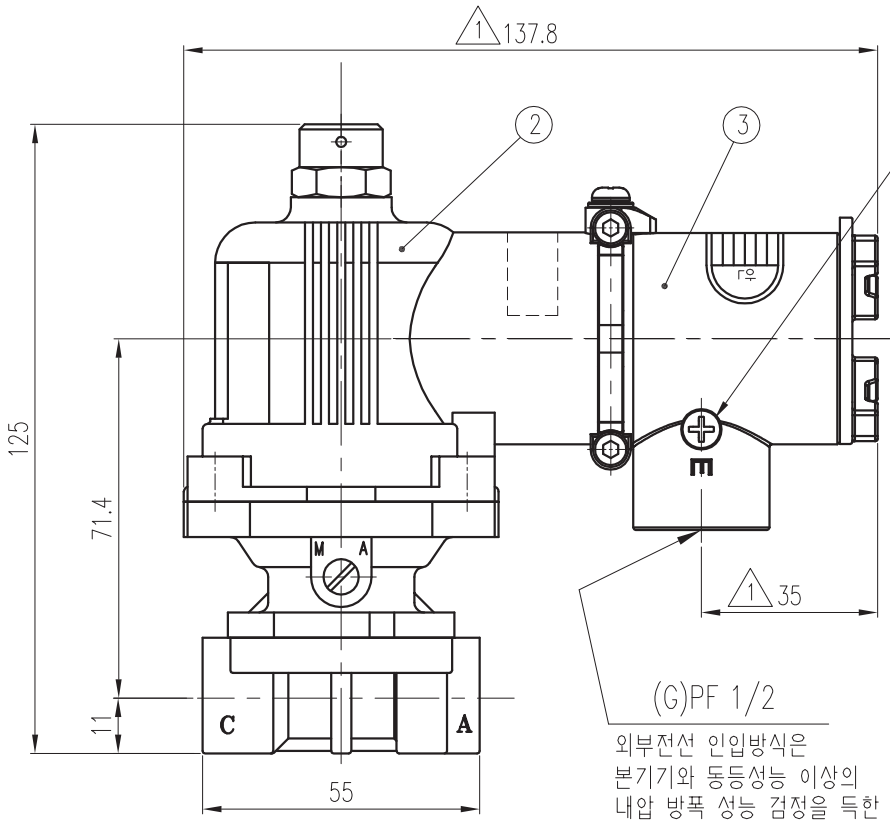
REV.NO.	REVISION DESCRIPTION	DRAWN / DATE	REVIEWED / DATE	APPROVED / DATE
△	최초 작성	JCS/111116		LYH/111116
△	ROTATOR 길이변경	KBJ/121017	JCS/121017	LYH/121017



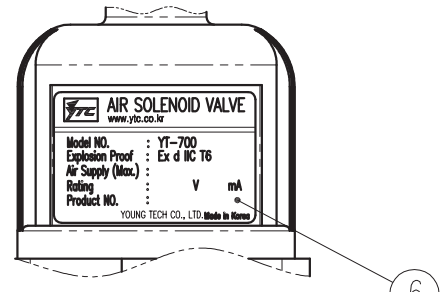
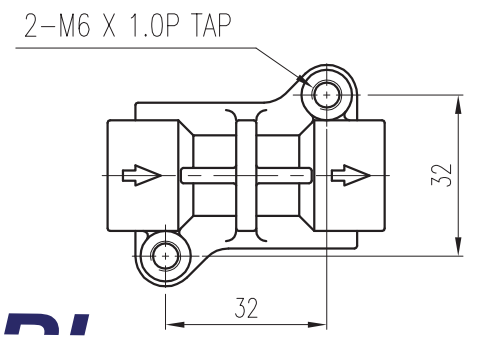
⑧ VOLTAGE STICKER

DC 24V DC 24V
AC110V AC110V
AC220V AC220V

- Earth (External, Internal)
1. M4\*5 0.7P Round Head Screw
  2. M4 Spring washer
  3. Minimum Size Wire 1mm or 18AWG.



(G)PF 1/2  
외부전선 인입방식은 본기와 동등성능 이상의 내압 방폭 성능 검증을 득한 케이블 그랜드 또는 실링 피팅을 이용하여 사용하여 주십시오.



### SPECIFICATIONS

Item Type	YT-700S	
Valve Type	3 way	
Rating Current	<input type="checkbox"/> AC 220V(50~60Hz)	11W(60mA)
	<input type="checkbox"/> AC 110V(50~60Hz)	12W(130mA)
	<input type="checkbox"/> DC 24V(50~60Hz)	14W(580mA)
Explosion Proof.	Ex d IIC T6	
Ambient Temp.	-20 ~ 50°C (-4 ~ 122°F)	
Connection Type	<input type="checkbox"/> PT 1/4	<input type="checkbox"/> NPT 1/4
Conduit	(G)PF 1/2	
Cv Factor	<input type="checkbox"/> 0.084(ø1.6)	<input type="checkbox"/> 0.2(ø3.2)
Supply Pressure Max.	0.7MPa (7bar)	0.4MPa (4bar)
Weight	0.8 kg (1.8 lb)	
Material	Aluminum diecasting	

\* Based on temperature 20°C, absolute pressure 760mmHg and relative humidity 65%.

NO.	PART NAME	MATERIAL	Q'TY	REMARK
8	VOLTAGE STICKER	2M CH PET	1	
7	방폭 STICKER	유포지 + 코팅	1	
6	NAME PLATE	2M CH PET	1	
5	3WAY BLOCK	A6063	1	
4	LOW BODY	ALDC12	1	
3	ROTATOR	ALDC12	1	
2	UP BODY	ALDC12	1	
1	VENT CAP	C3604BD	1	
		PROJECT NAME	-	



SURFACE TEXTURE	PRODUCT NAME AIR SOLENOID VALVE	YTC YOUNG TECH CO., LTD. SEOUL, KOREA	
FINISH TREATMENT	MODEL YT-700S	TITLE AIR SOLENOID VALVE ASS'Y DWG	
MATERIAL	PROJECTION 3rd	SCALE 1 / 1.5	DRAWING NO. SYT-700S(3Way)
OTHERWISE-NOTE	GENERAL TOLERANCE	QUANTITY 1	SHEET No. 1 / 1
			REV. 1