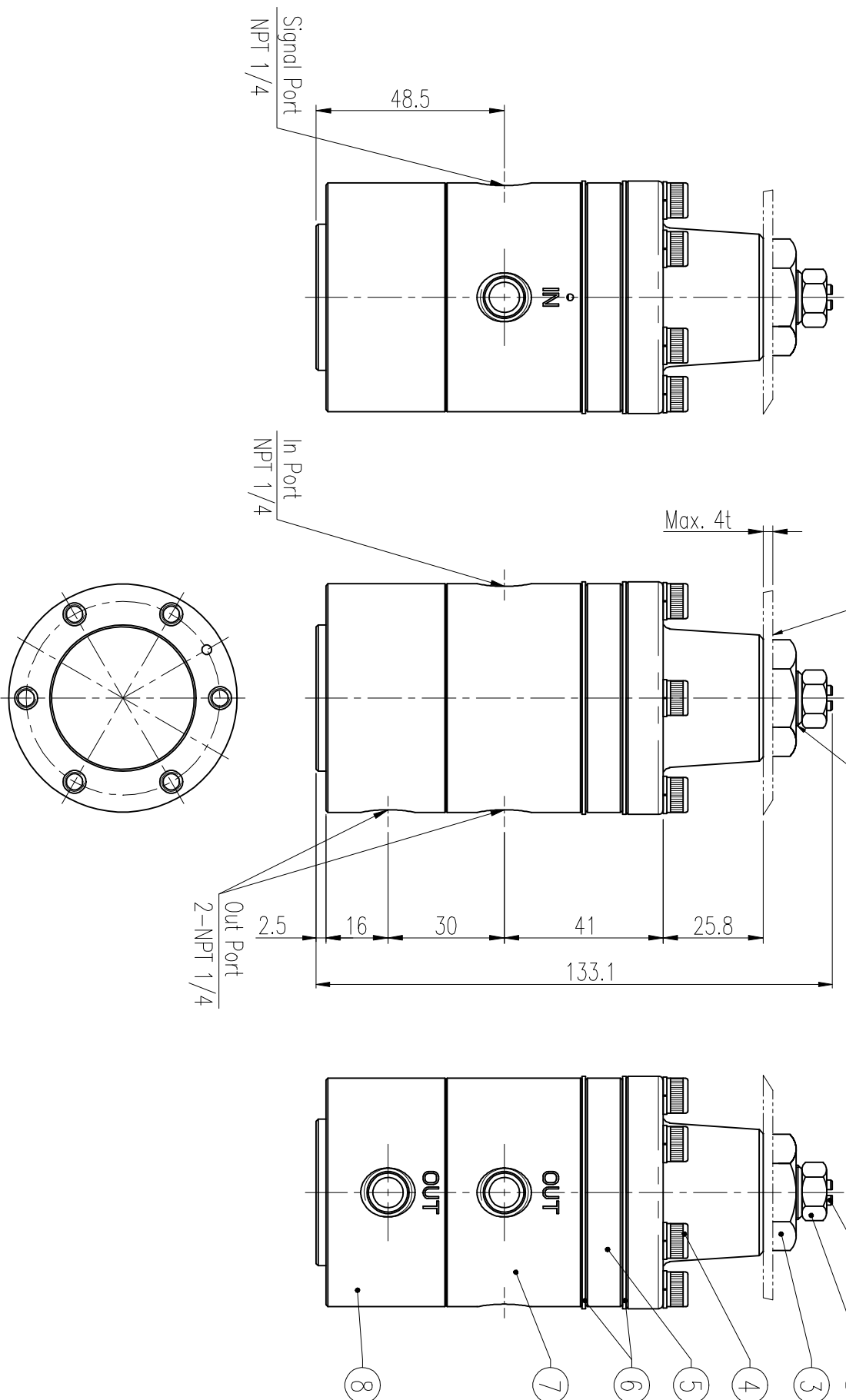
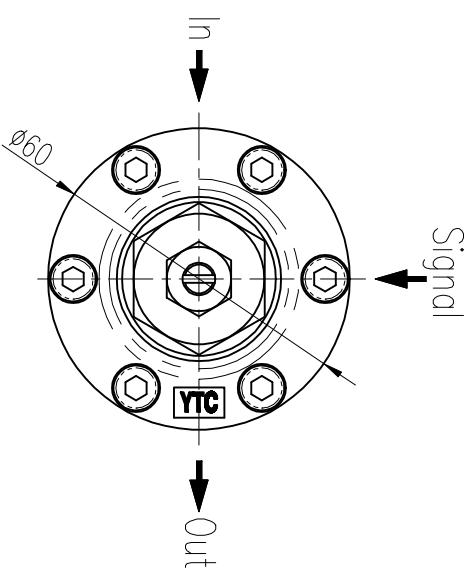


REV. NO.	REVISION DESCRIPTION	DRAWN / DATE	REVIEWED / DATE	APPROVED / DATE
△	ISSUE FOR APPROVAL	MDK/110502		
△				



### SPECIFICATIONS

Item . Type	YT-525 Single Type
Signal Pressure	0.14 ~ 0.7MPa (1.4 ~ 7bar)
Max Supply Pressure	1MPa (10bar)
Flow Capacity(Cv)	0.9
Signal Connection	NPT 1/4
In / Output Connection	NPT 1/4
Ambient Temp.	-20°C ~ 70°C (-4°F ~ 158°F)
Weight	1.72kg (3.8lb)

8	BODY LOWER	STS316	1	
7	BODY BASE	STS316	1	
6	DIAPHRAGM	NBR	2	
5	EXHAUST RING	SCS14	1	
4	COVER BASE	SCS14	1	
3	MOUNTING NUT	STS316	1	
2	NUT(M8*1)	STS316	1	
1	ADJUST BOLT	STS316	1	
NO.	PART NAME	MATERIAL	Q'ty	REMARK

PROJECT NAME

-

SURFACE TEXTURE	PRODUCT NAME	MODEL	TITLE	DRAWING NO.	REV.
FINISH TREATMENT	SNAP ACTING RELAY VALVE	YT-525	SNAP ACTING RELAY ASS'Y DWG	YT-525 (SINGLE TYPE)	0
MATERIAL	PROJECTION	SCALE			
OTHERWISE NOTE	GENERAL TOLERANCE	QUANTITY			
		1			
		1 / 1			

**YTC** YOUNG TECH CO., LTD.  
SEOUL, KOREA

**WIEPDL**  
INDIAN SALES PARTNER