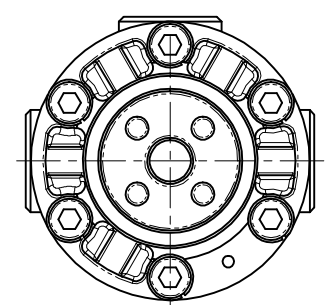
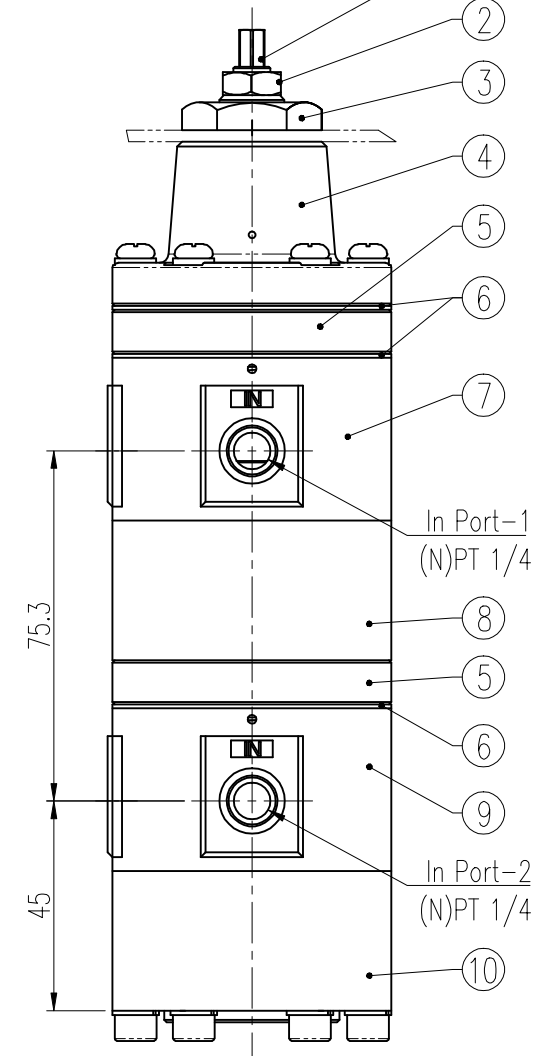
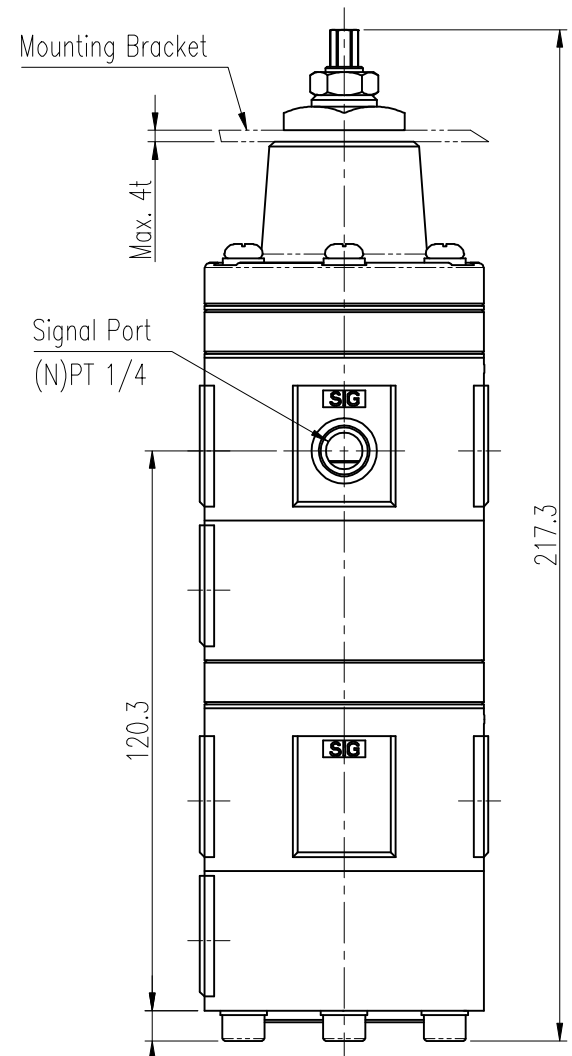
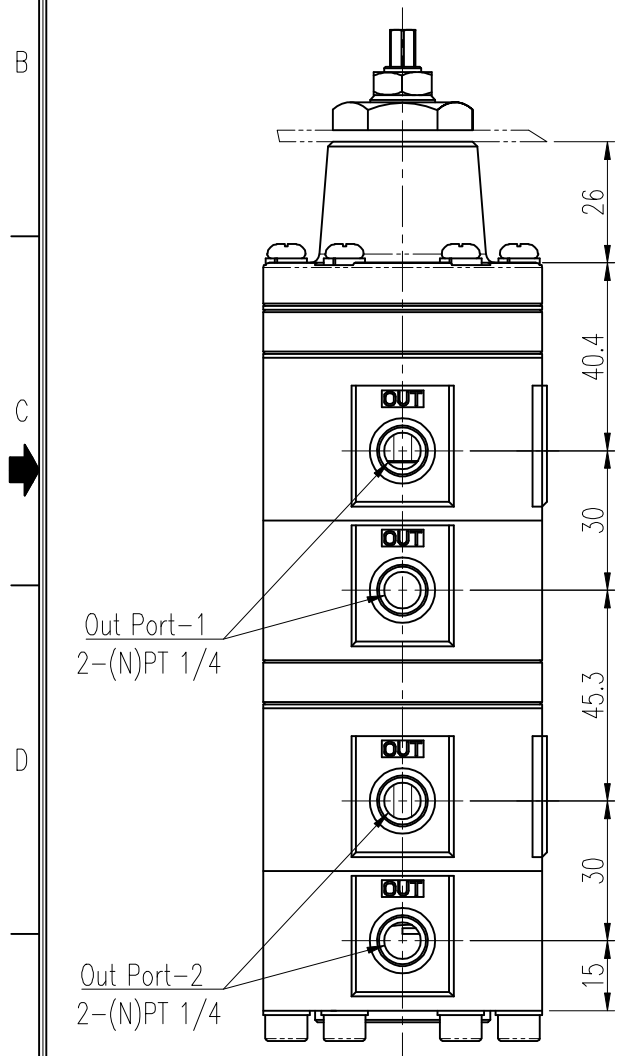
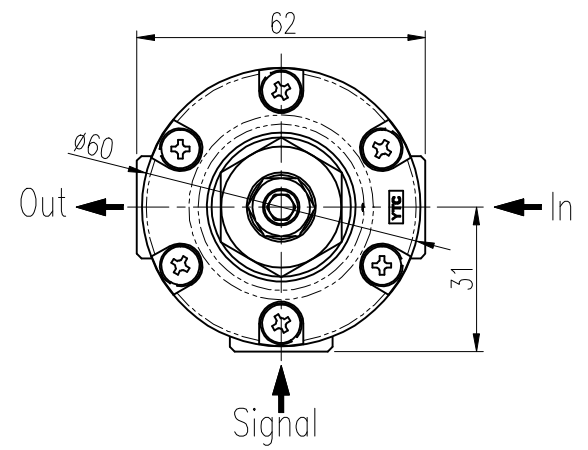


| REV.NO. | REVISION DESCRIPTION | DRAWN / DATE | REVIEWED / DATE | APPROVED / DATE |
|---------|----------------------|--------------|-----------------|-----------------|
| △ | ISSUE FOR APPROVAL | MDK/110706 | | |
| △ | | | | |



SPECIFICATIONS

| Item . Type | YT-520 Double Type |
|------------------------|-----------------------------|
| Signal Pressure | 0.14 ~ 0.7MPa (1.4 ~ 7bar) |
| Max Supply Pressure | 1MPa (10bar) |
| Flow Capacity(Cv) | 0.9 |
| Signal Connection | (N)PT 1/4 |
| In / Output Connection | (N)PT 1/4 |
| Ambient Temp. | -20°C ~ 70°C (-4°F ~ 158°F) |
| Weight | 1.2kg (2.7lb) |

| NO. | PART NAME | MATERIAL | Q'TY | REMARK |
|-----|-------------------|--------------------|------|--------|
| 10 | BODY LOWER-DOUBLE | ALDC12 | 1 | |
| 9 | BODY BASE-DOUBLE | ALDC12 | 1 | |
| 8 | BODY LOWER | ALDC12 | 1 | |
| 7 | BODY BASE | ALDC12 | 1 | |
| 6 | DIAPHRAGM | NBR | 3 | |
| 5 | RING EXHAUST | ALDC12 | 2 | |
| 4 | COVER BASE | ALDC12 | 1 | |
| 3 | MOUNTING NUT | C3604BD+ Ni PLATED | 1 | |
| 2 | NUT(M8*1) | STS 304 | 1 | |
| 1 | SHAFT ADJUST | STS 303 | 1 | |



| | | | | | |
|------------------|--|---|----------------|--------------------------------------|-------------------------------------|
| SURFACE TEXTURE | | PRODUCT NAME SNAP ACTING RELAY VALVE | | | |
| FINISH TREATMENT | | MODEL YT-520 | | | |
| MATERIAL | | PROJECTION 3rd | SCALE 1 / 2 | TITLE SNAP ACTING RELAY ASS'Y DWG | |
| OTHERWISE NOTE | | GENERAL TOLERANCE | QUANTITY 1 | SHEET No. 1 / 1 | DRAWING NO. YT-520 (DOUBLE TYPE) |
| | | | | | REV. 0 |