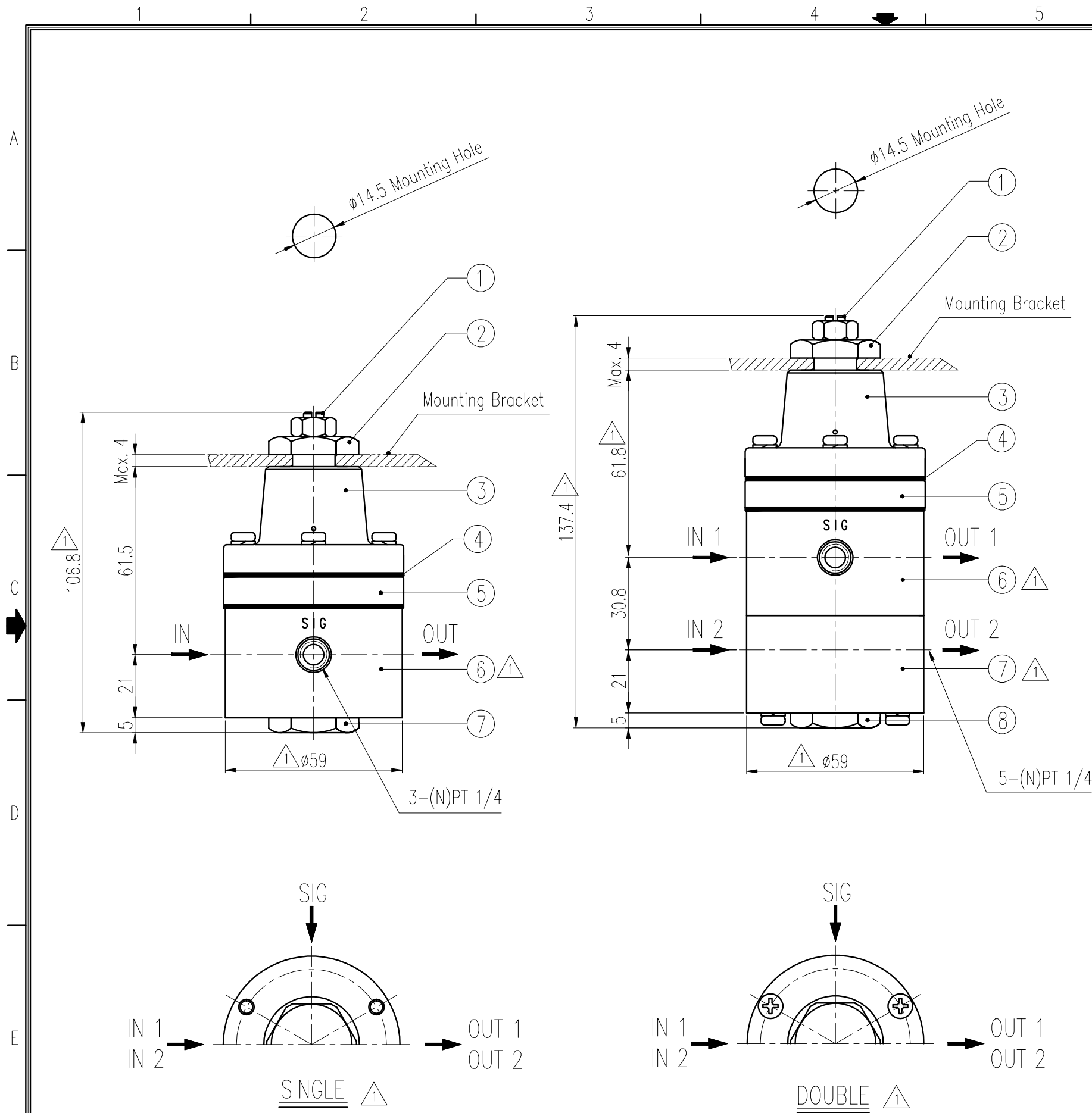


REV.NO.	REVISION DESCRIPTION	DRAWN / DATE	REVIEWED / DATE	APPROVED / DATE
△	ISSUE FOR APPROVAL	HSS/061221		
△	소재 변경에 따른 형상 변경 외	KDH/110712		



SPECIFICATIONS

Item . Type	YT-405	
	<input type="checkbox"/> Single	<input type="checkbox"/> Double
Signal Pressure	Max. 1MPa (10bar)	
Pressure Range	0.14 ~ 0.7MPa (1.4 ~ 7bar)	
Lock-Up Pressure	Max. 0.7MPa (7bar)	
Differential Pressure	Below 0.01 MPa (1.4 bar)	
Air Connection	<input type="checkbox"/> PT 1/4	
	<input type="checkbox"/> NPT 1/4	
Material	Stainless Steel	
Weight	1.3 kg (2.3 lb)	1.5 kg (3.2 lb)

SINGLE

7	PLUG	STS316	1	
6	BODY	STS316	1	
5	EXHAUST RING	STS316	1	
4	DIAPHRAGM	N.B.R	2	
3	COVER	STS316	1	
2	MOUNTING NUT	STS316	1	
1	ADJUST BOLT	STS316	1	
No.	PART NAME	MATERIAL	Q'TY	REMARK

DOUBLE

8	PLUG	STS316	1	
7	LOWER-BODY	STS316	1	
6	UPPER-BODY	STS316	1	
5	EXHAUST RING	STS316	1	
4	DIAPHRAGM	N.B.R	2	
3	COVER	STS316	1	
2	MOUNTING NUT	STS316	1	
1	ADJUST SHAFT	STS316	1	
No.	PART NAME	MATERIAL	Q'TY	REMARK

PROJECT NAME -



SURFACE TEXTURE	PRODUCT NAME LOCK UP VALVE	
FINISH TREATMENT	MODEL YT-405	
MATERIAL	PROJECTION 3rd	TITLE LOCK UP VALVE ASS'Y DWG
OTHERWISE-NOTE	SCALE 1 / 1.5	DRAWING NO. YT-405 (STANDARD)
GENERAL TOLERANCE	QUANTITY 1	SHEET No. 1 / 1
		REV. 1