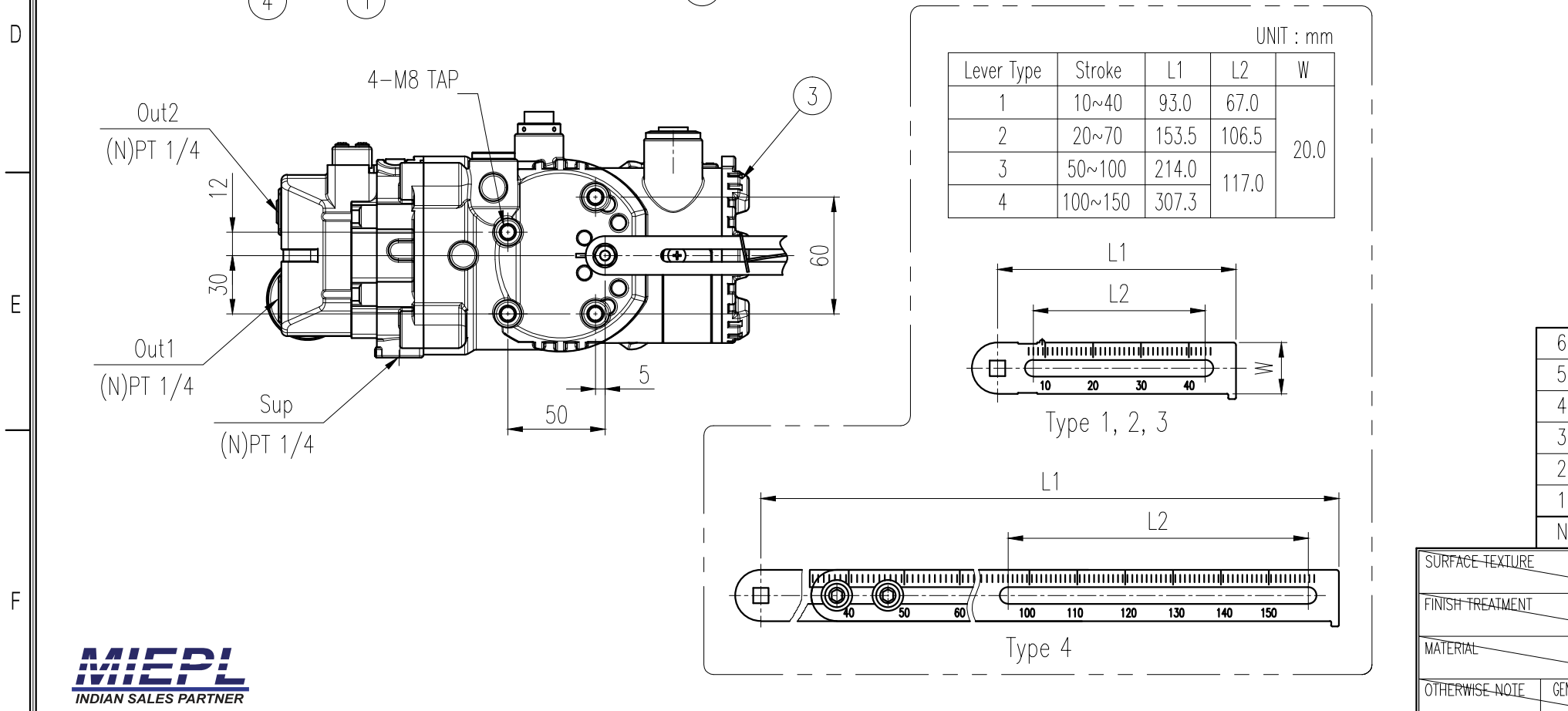
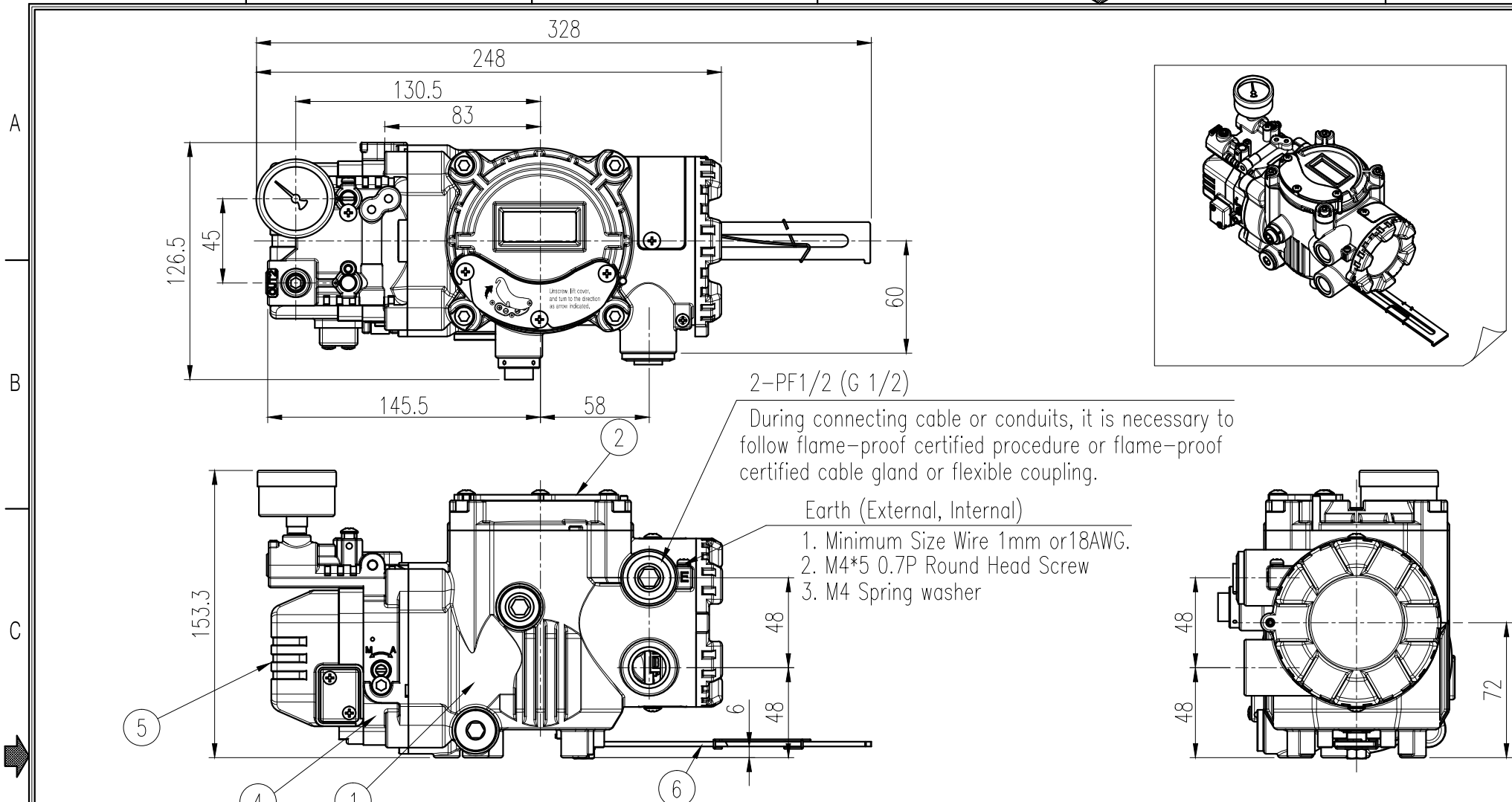


REV.NO.	REVISION DESCRIPTION	DRAWN / DATE	REVIEWED / DATE	APPROVED / DATE
△	최초작성	김치현/100304	정찬성/100304	이용희/100304
△				

SPECIFICATIONS

Acting Type	<input type="checkbox"/> Single	<input type="checkbox"/> Double
Input Signal	4 ~ 20mA DC	
Impedance	Max 460 Ohm/20mA DC	
Supply Pressure	0.14 ~ 0.7MPa (1.4 ~ 7bar)	
Explosion Proof	Ex d IIC T6/T5	
Stroke	10 ~ 150mm	
Repeatability	±0.3% F.S.	
Explosion Ambient Temp.	T6	-40 ~ 70°C (-40 ~ 158°F)
	T5	-40 ~ 85°C (-40 ~ 185°F)
Hysteresis	±0.5% F.S.	
Sensitivity	±0.2% F.S.	
Linearity	±0.5% F.S.	
Air Connection	(N)PT 1/4	
Gauge Connection	(N)PT 1/8	
Conduit	PF 1/2 (G 1/2)	
Air consumption	Below 2LPM (sup=0.14MPa)	
Flow Capacity	70LPM (sup=0.14MPa)	
Protection	IP66	
Main Board	MPU	16 bit Micro Controller
	A/D Converter	12 bit
	D/A Converter	12 bit
LCD	Operation Temp.	-10 ~ 70°C (14 ~ 158°F)
Output Characteristics	<input type="checkbox"/> Linear	<input type="checkbox"/> EQ%
	<input type="checkbox"/> User defined	<input type="checkbox"/> Quick Open
Material	Aluminum Diecasting	
Weight	3.1kg (6.8 lb)	
Lever Type	<input type="checkbox"/> 10~ 40mm	<input type="checkbox"/> 20~70mm
	<input type="checkbox"/> 50~100mm	<input type="checkbox"/> 100~150mm
Internal free volume	1,100cm ³	



6	FEEDBACK LEVER	STS304	1	
5	COVER PILOT	ALDC12	1	
4	MANIFOLD	ALDC12	1	
3	COVER TERMINAL	ALDC12	1	
2	COVER BASE	ALDC12	1	
1	BODY BASE	ALDC12	1	
NO.	PART NAME	MATERIAL	Q'TY	REMARK

SURFACE TEXTURE	PRODUCT NAME	SMART POSITIONER		YOUNG TECH CO., LTD. SEOUL, KOREA
FINISH TREATMENT	MODEL	YT-3400L		
MATERIAL	PROJECTION	3rd	SCALE	1 / 3
OTHERWISE NOTE	GENERAL TOLERANCE	QUANTITY	SHEET No.	1 / 1
		1		DRAWING NO. YT-3400L
				REV. 0

