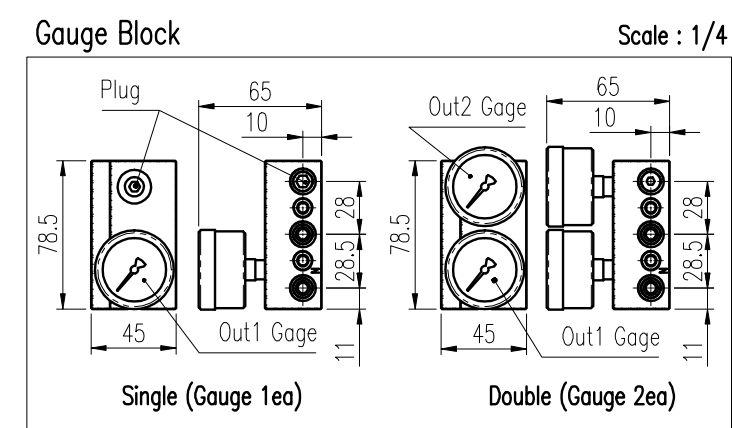
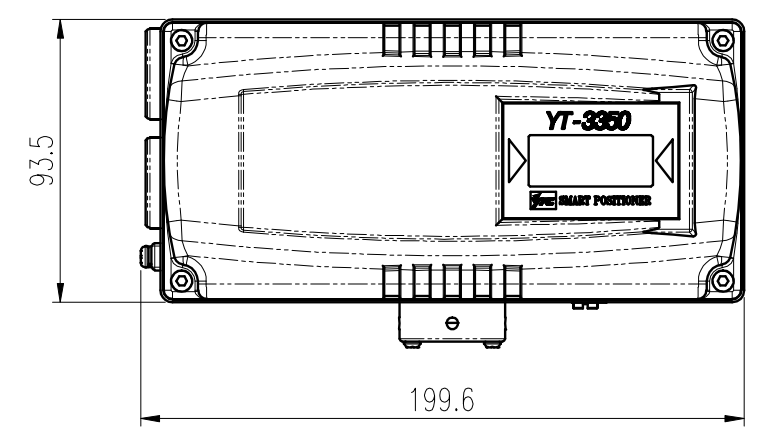
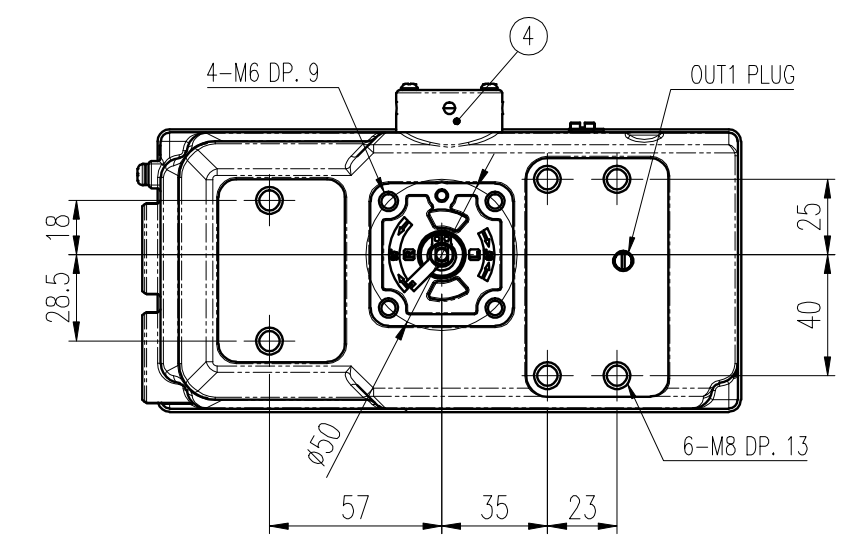
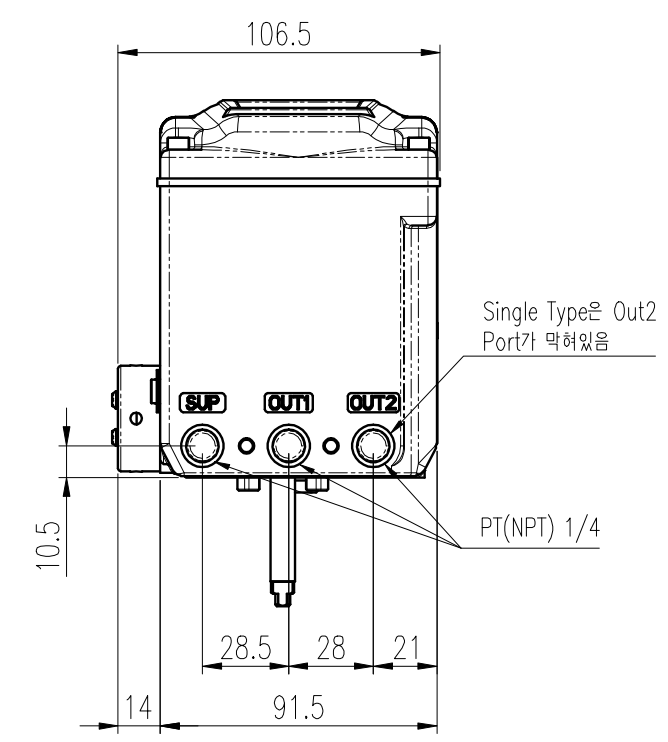
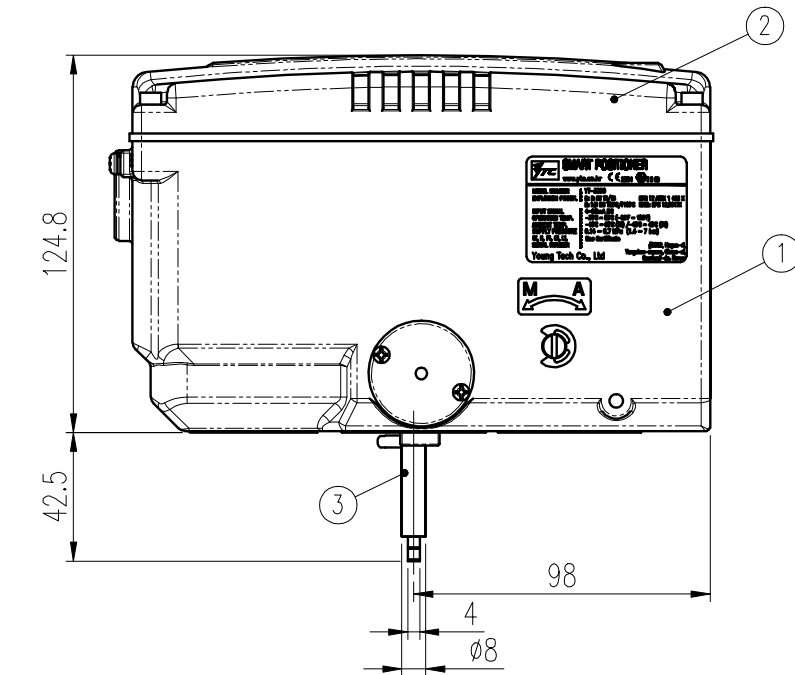
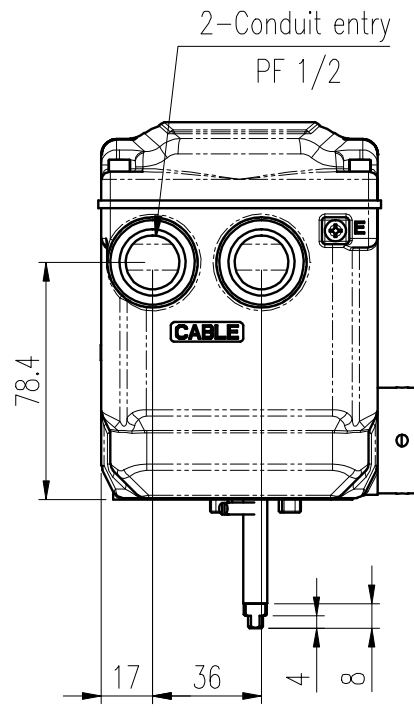


REV.NO.	REVISION DESCRIPTION	DRAWN / DATE	REVIEWED / DATE	APPROVED / DATE
△	Issue for approval	OSS/120510		
△				



**SPECIFICATIONS**

Acting Type	<input type="checkbox"/> Single	<input type="checkbox"/> Double
Input Signal	4 ~ 20mA DC	
Impedance	Max 460 Ohm/20mA DC	
Supply Pressure	0.14 ~ 0.7MPa (1.4 ~ 7bar)	
Explosion Proof	<input type="checkbox"/> Non-Explosion	<input type="checkbox"/> Ex ia IIC T5 <input type="checkbox"/> Ex ia IIC T6
Stroke	0 ~ 90°	
Repeatability	±0.3% F.S.	
Operating Temp.	-30 ~ 85°C (-22 ~ 185°F)	
Explosion Ambient Temp.	-40 ~ 60°C(T5) / -40 ~ 40°C(T6)	
Hysteresis	±0.5% F.S.	
Sensitivity	±0.2% F.S.	
Linearity	±0.5% F.S.	
Air Connection	(N)PT 1/4	
Gauge Connection	(N)PT 1/8	
Conduit	PF 1/2 (G 1/2)	
Air consumption	Below 2LPM (sup=0.14MPa)	
Flow Capacity	70LPM (sup=0.14MPa)	
Enclosure	IP66	
Main Board	MPU	16 bit Micro Controller
	A/D Converter	12 bit
	D/A Converter	12 bit
LCD	Operation Temp.	-20 ~ 70°C (-4 ~ 158°F)
Output Characteristics	<input type="checkbox"/> Linear	<input type="checkbox"/> EQ%
	<input type="checkbox"/> User defined	<input type="checkbox"/> Quick Open
Material	STS316	
Weight	5.1kgf (11.2 lbf)	
Actuator Shaft	NAMUR	



4	VENT COVER	STS316	1	
3	MAIN SHAFT	STS303	1	
2	BASE COVER	STS316	1	
1	BASE BODY	STS316	1	
NO.	PART NAME	MATERIAL	Q'TY	REMARK

SURFACE TEXTURE	-	PRODUCT NAME	SMART POSITIONER		<b>YOUNG TECH CO., LTD.</b> SEOUL, KOREA	
FINISH TREATMENT	-	MODEL	YT-3350R			
MATERIAL	-	PROJECTION	3rd	SCALE	1 / 2.5	
OTHERWISE NOTE	-	GENERAL TOLERANCE	-	QUANTITY	1	
				SHEET No.	1 / 1	
					TITLE	SMART ROTARY POSITIONER ASS'Y DWG
					DRAWING NO.	YT-3350R STANDARD
					REV.	0

