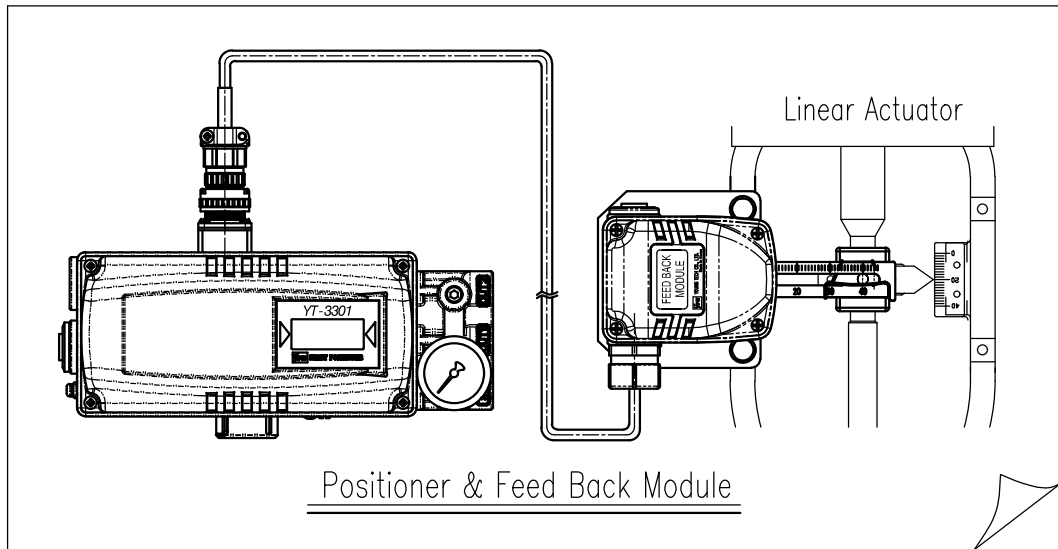
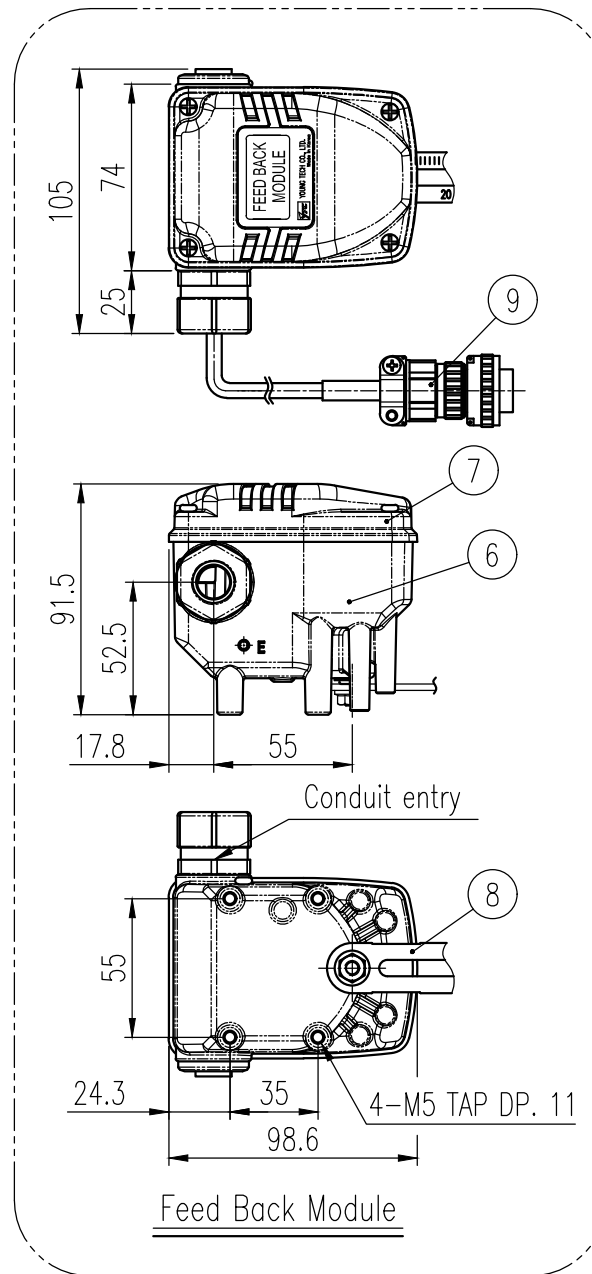
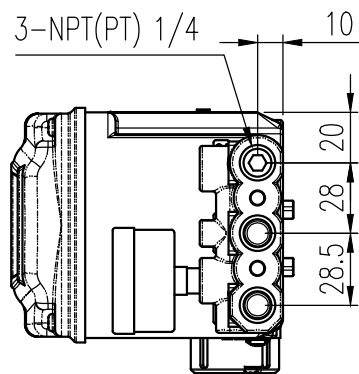
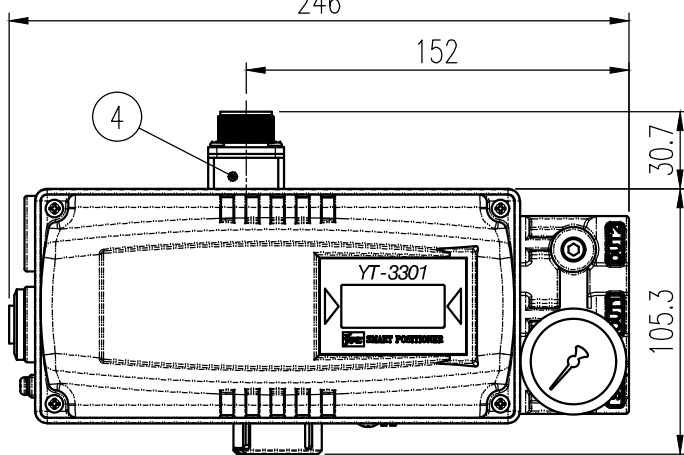
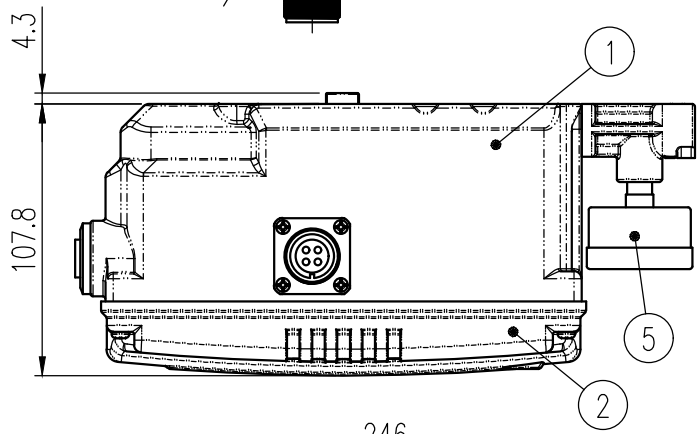
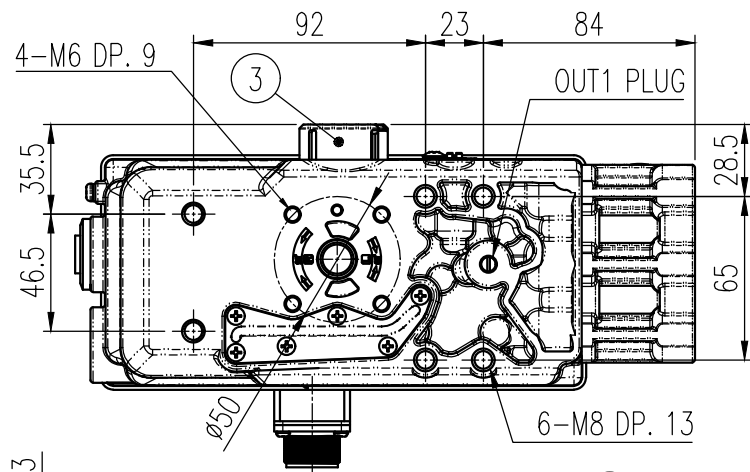


REV.NO.	REVISION DESCRIPTION	DRAWN / DATE	REVIEWED / DATE	APPROVED / DATE
△	Issue for approval	KCH/121117	JCS/121117	LYH/121117
△				



Positioner & Feed Back Module



Feed Back Module

No.	Part Name	Material	Q'ty	Remark
1	Base Body	ALDC12	1	Positioner
2	Base Cover	ALDC12	1	
3	Vent Cover	PC	1	
4	Connector	AL, NBR	1	
5	Pressure Gauge	STS304	1 or 2	
6	Base Body	ALDC12	1	Feed Back Module
7	Base Cover	ALDC12	1	
8	Feed Back Lever	STS304	1	
9	Connector	AL, NBR	1	

Specifications (Feedback Module)

Input Type	2 Wire	
Output	4 ~ 20mA DC	
Noise Range	50mVp.p	
Protection	IP 67	
Stroke	10~150mm / 0 ~ 30'	
Lever Type	<input type="checkbox"/> 10~40mm	<input type="checkbox"/> 20~70mm
	<input type="checkbox"/> 50~100mm	<input type="checkbox"/> 100~150mm
Weight	Aluminum Diecasting	
Material	0.6 kg(1.3 lb)	

Specifications (Positioner)

Acting Type	<input type="checkbox"/> Single	<input type="checkbox"/> Double
Input Signal	4 ~ 20mA DC	
Impedance	Max 460 Ohm/20mA DC	
Supply Pressure	0.14 ~ 0.7MPa (1.4 ~ 7bar)	
Explosion Proof	<input type="checkbox"/> Non-Explosion	<input type="checkbox"/> Ex ia IIC T5 <input type="checkbox"/> Ex ia IIC T6
Repeatability	±0.3% F.S.	
Operating Temp.	-30 ~ 85°C (-22 ~ 185°F)	
Explosion Ambient Temp.	-40 ~ 60°C(T5) / -40 ~ 40°C(T6)	
Hysteresis	±0.5% F.S.	
Sensitivity	±0.2% F.S.	
Linearity	±0.5% F.S.	
Air Connection	(N)PT 1/4	
Gauge Connection	(N)PT 1/8	
Conduit	PF 1/2 (G 1/2)	
Air consumption	Below 2LPM (sup0.14MPa, 1.4bar)	
Flow Capacity	70LPM (sup0.14MPa, 1.4bar)	
Protection	IP66	
Main Board	MPU	16 bit Micro Controller
	A/D Converter	12 bit
	D/A Converter	12 bit
LCD	Operation Temp.	-20 ~ 70°C (-4 ~ 158°F)
Output Characteristics	<input type="checkbox"/> Linear	<input type="checkbox"/> EQ%
	<input type="checkbox"/> User defined	<input type="checkbox"/> Quick Open
Material	Aluminum Diecasting	
Weight	2.1kg (4.6 lb)	



SURFACE TEXTURE	-	PRODUCT NAME	SMART POSITIONER	
FINISH TREATMENT	-	MODEL	YT-3301L	
MATERIAL	-	PROJECTION	3rd	SCALE 1/3
OTHERWISE NOTE	-	GENERAL TOLERANCE	-	QUANTITY 1 SHEET No. 1/1

PROJECT NAME		-	
TITLE		REMOTE SMART LINEAR POSITIONER ASS'Y DWG	
DRAWING NO.		YT-3301L STANDARD	
REV.		0	