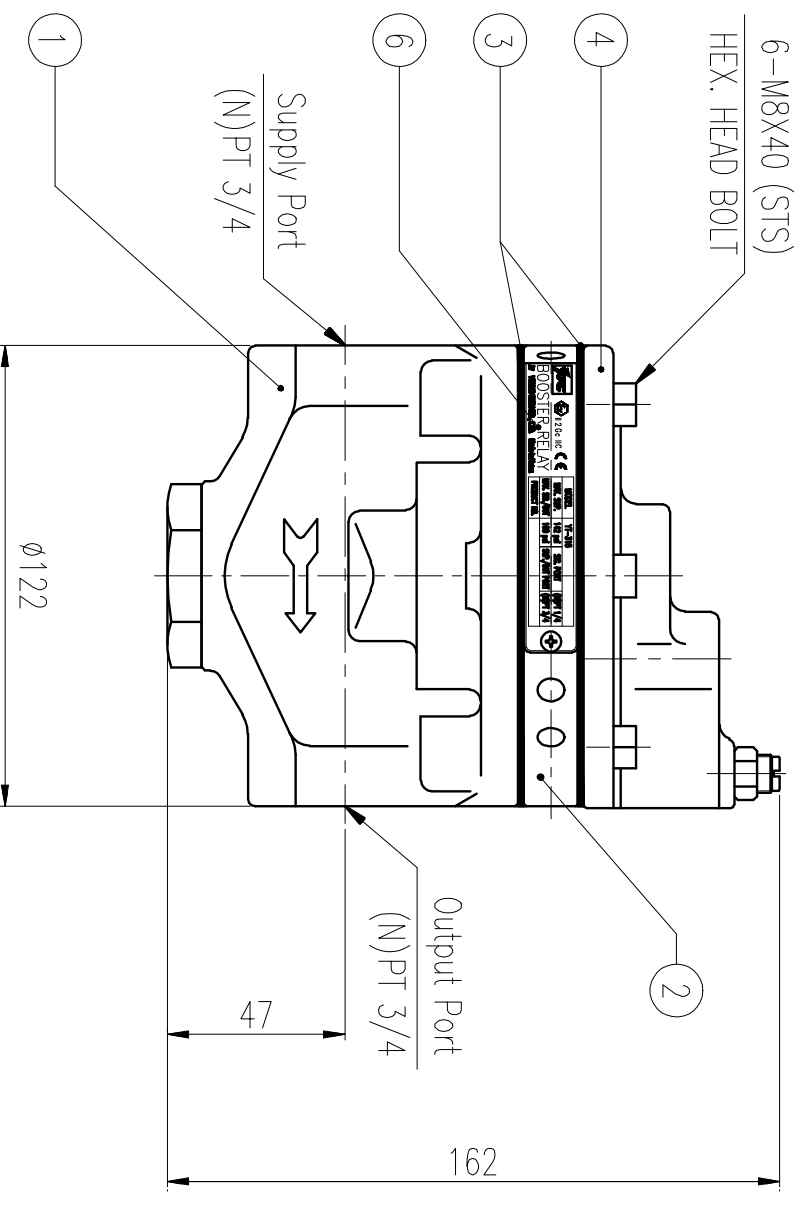
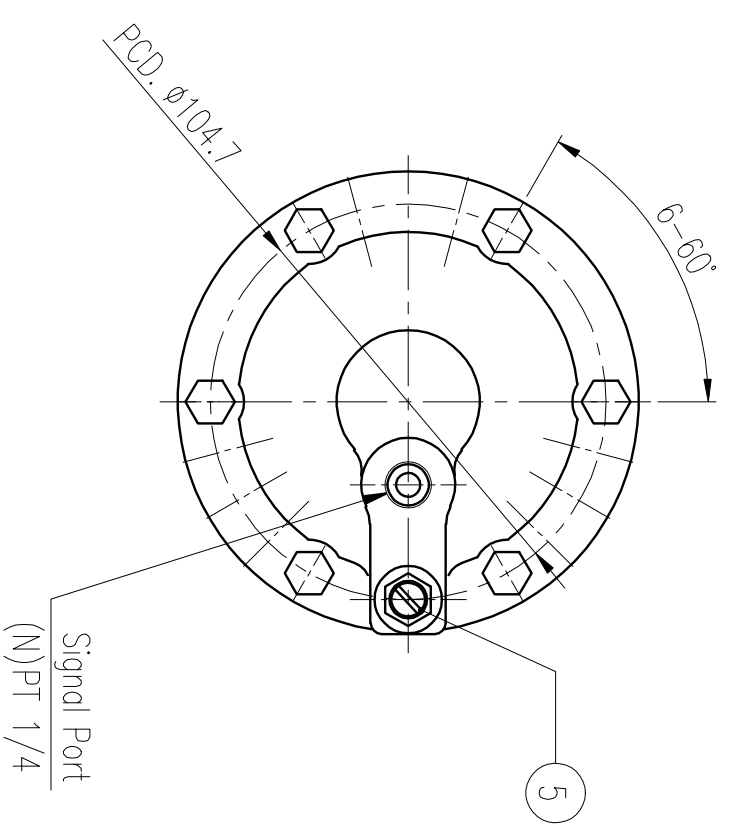


REV. NO.	REVISION DESCRIPTION	DRAWN / DATE	REVIEWED / DATE	APPROVED / DATE
△	ISSUE FOR APPROVAL	HSS/050531	KCH/050531	LZH/050531
△	ADDED A DETAIL	HSS/051108	JCS/051108	LYH/051108



SPECIFICATIONS

Max. Supply Pressure	1MPa (10bar)
Max. In/Out Pressure	0.7MPa (7bar)
In/Out Pressure Ratio	1 : 1
Flow Capacity(Cv)	4.98
In/Out Connection	PT(NPT) 3/4
Signal Connection	PT(NPT) 1/4
Ambient Temperature	-20 ~ 70 °C (-4 ~ 158°F)
Linearity	± 1%(F.S.)
Hysteresis	± 1%(F.S.)
Weight	5kg (11lb)

NO.	PART NAME	MATERIAL	Q'TY	REMARK
6	NAME PLATE	STS304	1	
5	ADJUST BOLT	STS316	1	
4	BASE COVER	STS316	1	
3	DIAPHRAGM	N.B.R	2	
2	EXHAUST RING	STS316	1	
1	BASE BODY	STS316	1	

PROJECT NAME: _____

SURFACE TEXTURE		PRODUCT NAME		TITLE	
FINISH TREATMENT		VOLUME BOOSTER		YTC YOUNG TECH CO., LTD.	
MATERIAL		MODEL		SCULL, KOREA	
OTHERWISE NOTE		PROJECTION		DRAWING NO.	
GENERAL TOLERANCE		QUANTITY		YT-315 (STANDARD)	
		1		REV. 1	
		1 / 1			
		1 / 2			
		3rd			
		SCALE			
		1 / 2			
		SHEET No.			
		1 / 1			

