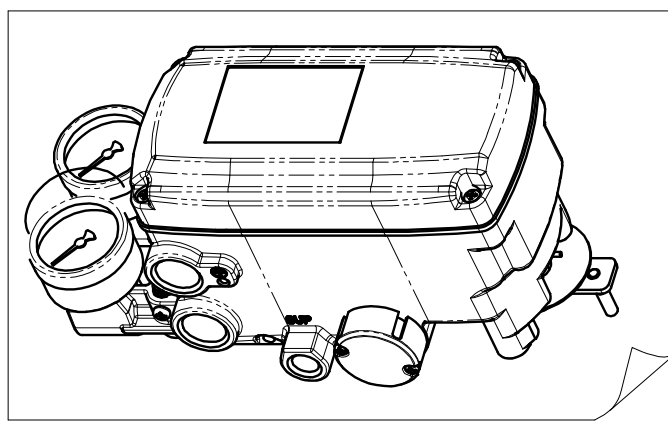
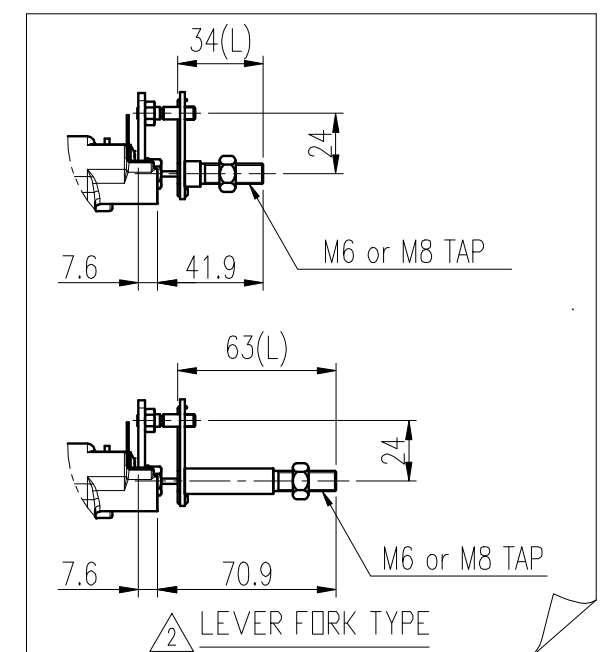
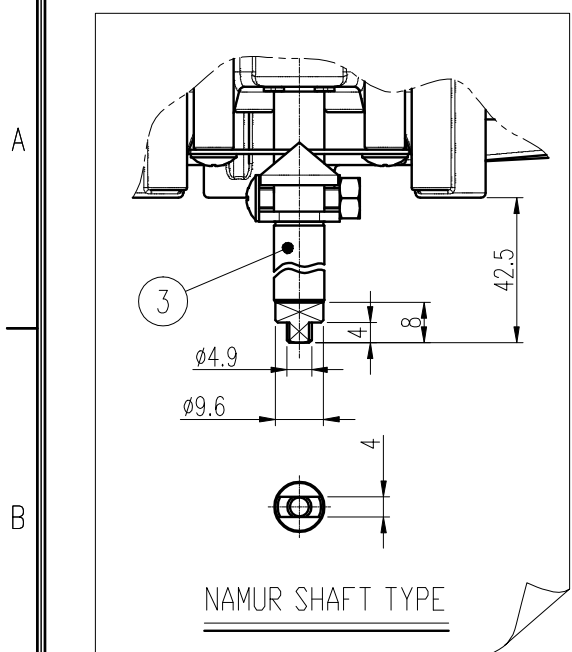


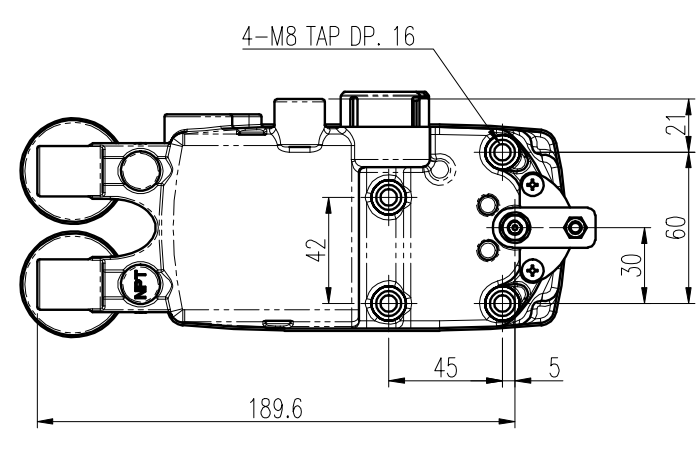
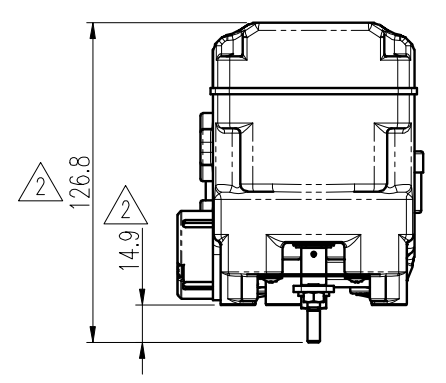
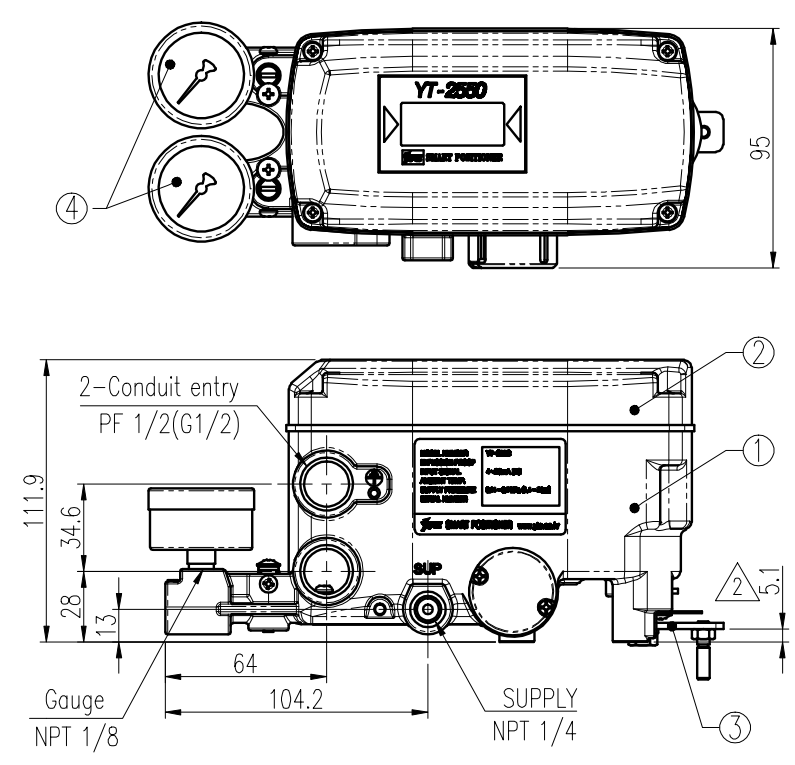
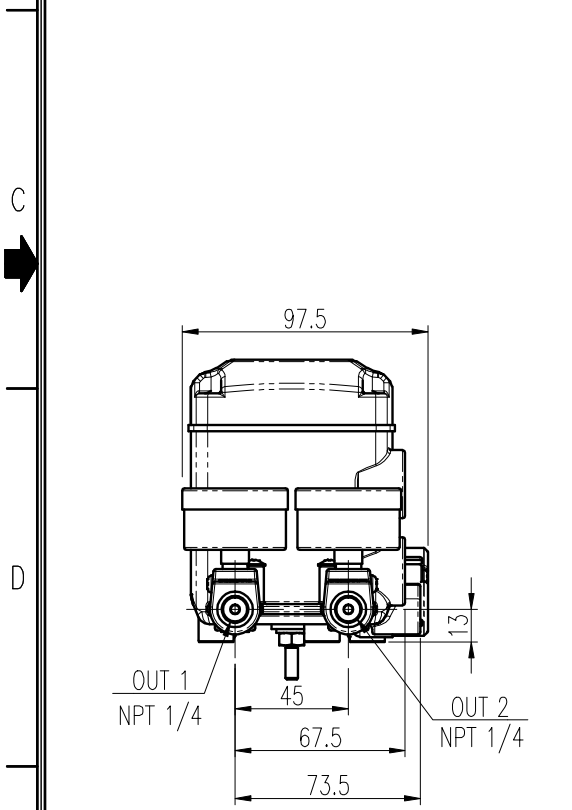
1 2 3 4 5 6 7

REV.NO.	REVISION DESCRIPTION	DRAWN / DATE	REVIEWED / DATE	APPROVED / DATE
△	ISSUE FOR APPROVAL	DKMIN/080229	CSJUNG/080229	YHLEE/080229
①	DRAWING ARRANGEMENT	DKMIN/100305	CSJUNG/100305	YHLEE/100305
△	DRAWING ARRANGEMENT	BJKIM/130102	DKMIN/130102	CSJUNG/130102




**SPECIFICATIONS**

Acting Type	<input type="checkbox"/> Single	<input type="checkbox"/> Double
Input Signal	4 ~ 20mA DC	
Impedance	Max 460 Ohm/20mA DC	
Supply Pressure	0.14 ~ 0.7MPa (1.4 ~ 7bar)	
Explosion Proof	<input type="checkbox"/> Non-Explosion	<input type="checkbox"/> Ex ia IIC T5 <input type="checkbox"/> Ex ia IIC T6
Stroke	0° ~ 90°	
Repeatability	±0.3% F.S.	
Operating Temp.	-30 ~ 85°C (-22 ~ 185°F)	
Explosion Ambient Temp.	-40 ~ 60°C(T5) / -40 ~ 40°C(T6)	
Hysteresis	±0.5% F.S.	
Sensitivity	±0.2% F.S.	
Linearity	±0.5% F.S.	
Air Connection	NPT 1/4	
Gauge Connection	NPT 1/8	
Conduit	PF 1/2 (G 1/2)	
Air consumption	Below 0.01LPM (sup=0.14MPa)	
Flow Capacity	60LPM (sup=0.14MPa)	
Protection	IP66	
Main Board	MPU	16 bit Micro Controller
	A/D Converter	12 bit
	D/A Converter	12 bit
LCD	Operation Temp.	-20 ~ 70°C (-4 ~ 158°F)
Output Characteristics	<input type="checkbox"/> Linear	<input type="checkbox"/> EQ%
	<input type="checkbox"/> User defined	<input type="checkbox"/> Quick Open
Material	Stainless steel 316	
Weight	2.9kg (6.4 lb)	
Actuator Shaft	<input type="checkbox"/> M6	<input type="checkbox"/> L=34
	<input type="checkbox"/> M8	<input type="checkbox"/> L=63
		<input type="checkbox"/> NAMUR



4	PRESSURE GAUGE	STS304	2	
3	LEVER CONNECT ASS'Y	STS 303, 304P	1	LEVER FORK, NAMUR
2	COVER BASE	STS316	1	
1	BODY BASE	STS316	1	
NO.	PART NAME	MATERIAL	Q'TY	REMARK

SURFACE-TEXTURE	PRODUCT NAME	<b>SMART POSITIONER</b>		 <b>YOUNG TECH CO., LTD.</b> SEJUL, KOREA
FINISH-TREATMENT	MODEL	<b>YT-2550R (DOUBLE)</b>		
MATERIAL	PROJECTION	SCALE	TITLE	
OTHERWISE-NOTE	GENERAL TOLERANCE	QUANTITY	SHEET No.	DRAWING NO. YT-2550R (DOUBLE) STANDARD
		1	1 / 1	REV. 2

**MIEPL**  
INDIAN SALES PARTNER

E

E