


1 2 3 4 5 6 7 8

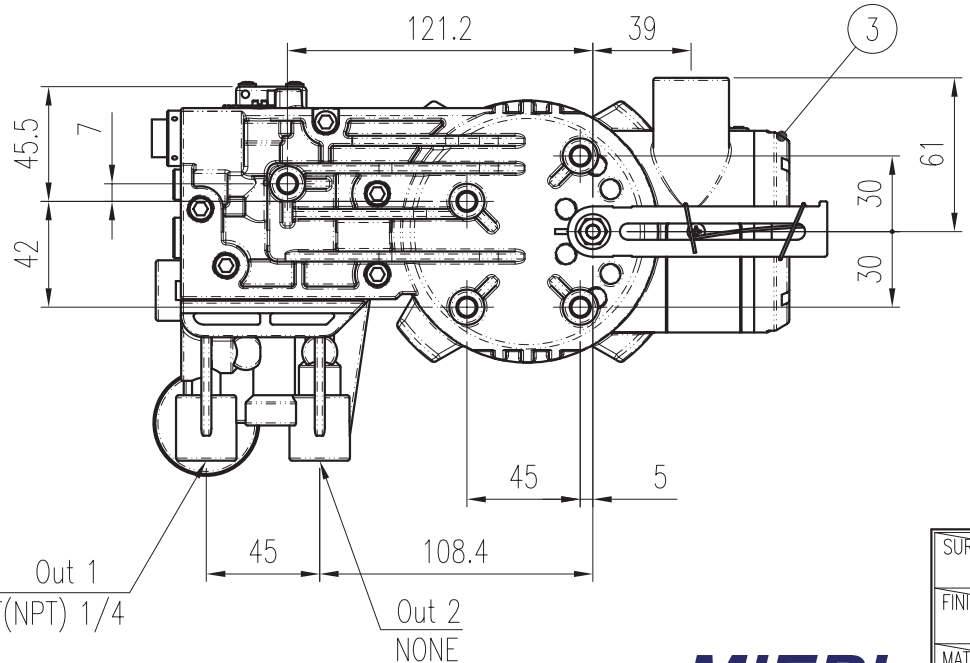
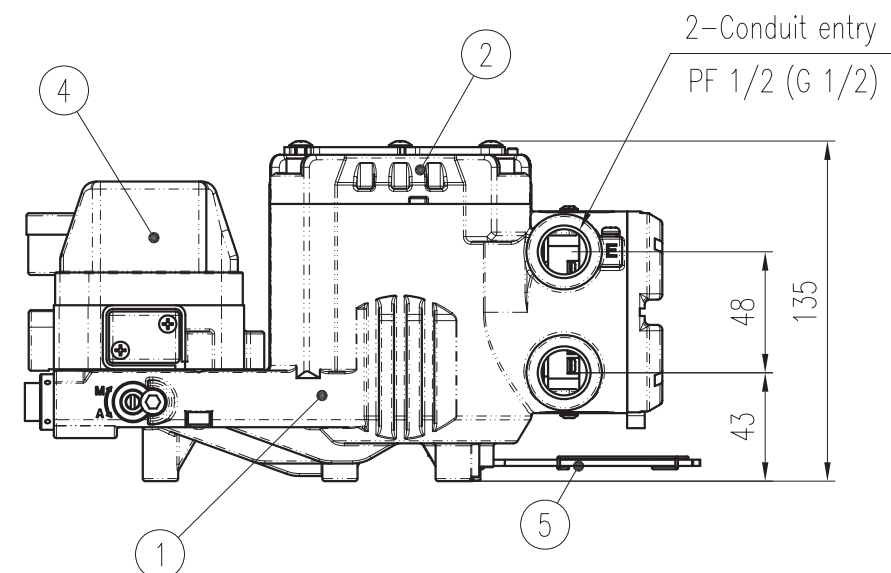
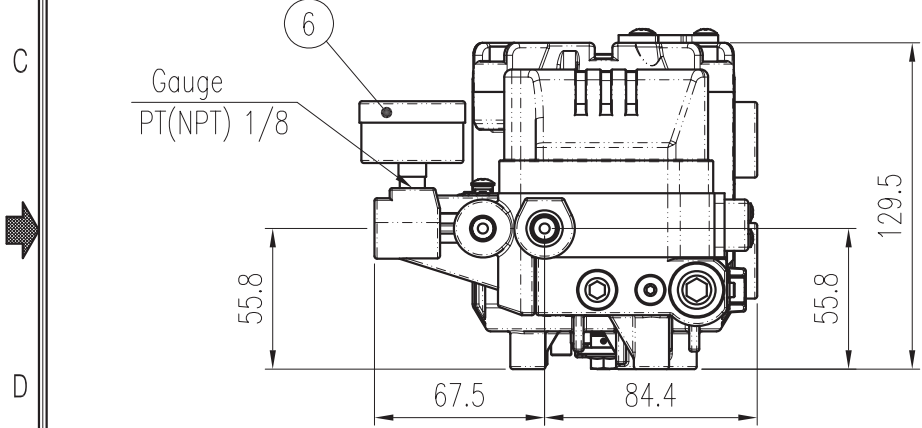
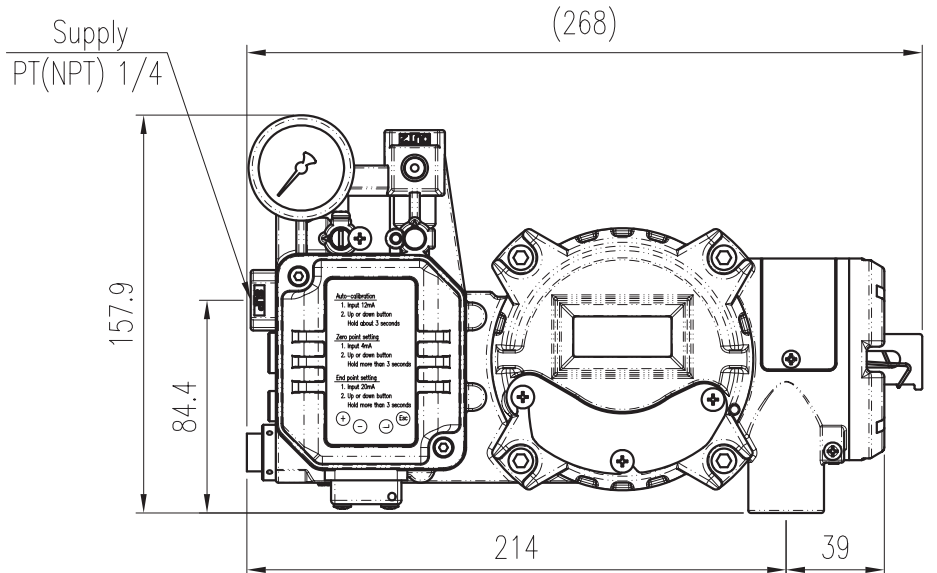
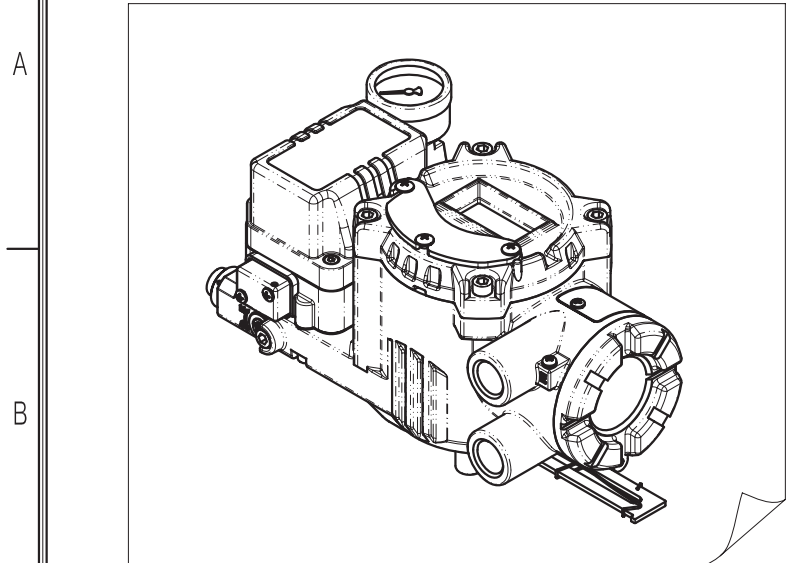
REV.NO.	REVISION DESCRIPTION	DRAWN / DATE	REVIEWED / DATE	APPROVED / DATE
△	ISSUE FOR APPROVAL	HSS/050621	KCH/050725	
△	DRAWING ARRANGEMENT	HSS/060224	KCH/060224	LYH/060224
△	DRAWING ARRANGEMENT	MDK/100305	JCS/100305	LYH/100305
△	DRAWING ARRANGEMENT	KCH/110806	JCS/110806	LYH/110806

SPECIFICATIONS

Acting Type	<input type="checkbox"/> Single	<input type="checkbox"/> Double
Input Signal	4 ~ 20mA DC	
Impedance	Max 460 Ohm/20mA DC	
Supply Pressure	0.14 ~ 0.7MPa (1.4 ~ 7bar)	
Explosion Proof	Ex d IIB + H ₂ T6	
Stroke	10 ~ 150mm	
Repeatability	±0.3% F.S.	
Operating Temp.	-30 ~ 85°C (-22 ~ 185°F)	
Explosion Ambient Temp.	-20 ~ 60°C (-4 ~ 140°F)	
Hysteresis	±0.5% F.S.	
Sensitivity	±0.2% F.S.	
Linearity	±0.5% F.S.	
Air Connection	(N)PT 1/4	
Gauge Connection	(N)PT 1/8	
Conduit	PF 1/2 (G 1/2)	
Air consumption	Below 2LPM (sup=0.14MPa)	
Flow Capacity	70LPM (sup=0.14MPa)	
Protection	IP66	
Main Board	MPU	16 bit Micro Controller
	A/D Converter	12 bit
	D/A Converter	12 bit
LCD	Operation Temp.	-20 ~ 70°C (-4 ~ 158°F)
	Output Characteristics	<input type="checkbox"/> Linear <input type="checkbox"/> EQ% <input type="checkbox"/> User defined <input type="checkbox"/> Quick Open
Material	Aluminum Diecasting	
Weight	3.35kg (7.37 lb)	
Lever Type	<input type="checkbox"/> 10~40mm	<input type="checkbox"/> 20~70mm
	<input type="checkbox"/> 50~100mm	<input type="checkbox"/> 100~150mm
Internal free volume	830 cm ³	

NO.	PART NAME	MATERIAL	Q'TY	REMARK
6	PRESSURE GAUGE	STS304	1	
5	FEEDBACK LEVER	STS304	1	
4	MANIFOLD COVER	ALDC12	1	
3	TERMINAL COVER	ALDC12	1	
2	BASE COVER	ALDC12	1	
1	BASE BODY	ALDC12	1	

SURFACE TEXTURE	PRODUCT NAME	SMART POSITIONER		 YOUNG TECH CO., LTD. SEOUL, KOREA
FINISH TREATMENT	MODEL	YT-2400L (SINGLE)		
MATERIAL	PROJECTION	3rd	SCALE	1 / 3
OTHERWISE NOTE	GENERAL TOLERANCE	QUANTITY	SHEET No.	1 / 1
		1		DRAWING NO. YT-2400L (SINGLE) STANDARD
				REV. 3



LEVER TYPE : 1, 2, 3

Type 4

Lever Type	Stroke(mm)	L1(mm)	L2(mm)	W(mm)
1	10~40	93.0	67.0	20.0
2	20~70	153.5	106.5	
3	50~100	214.0	117.0	
4	100~150	307.3	117.0	

