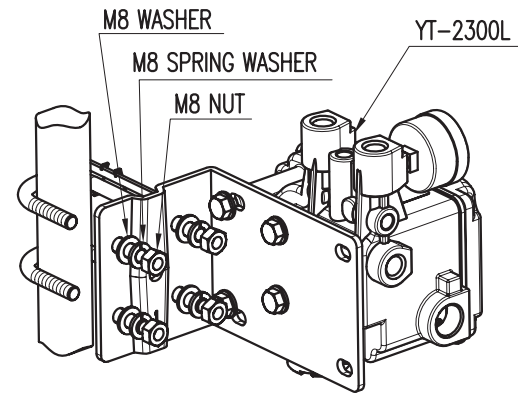
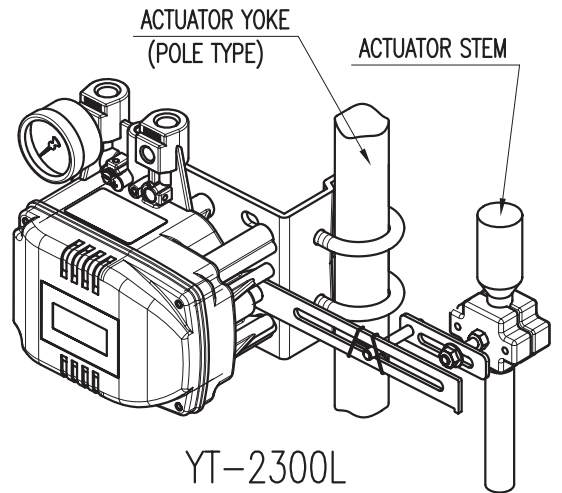
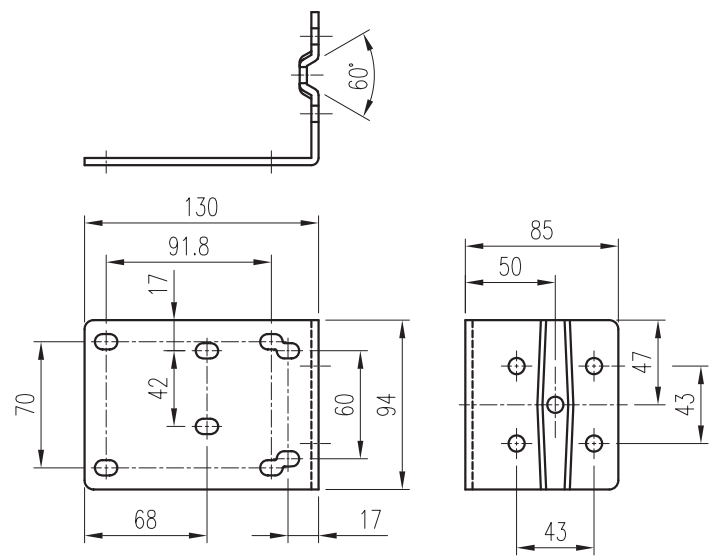


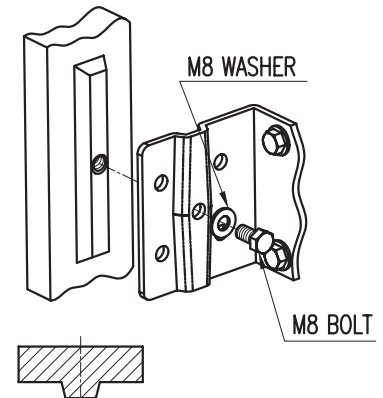
REV.NO.	REVISION DESCRIPTION	DRAWN / DATE	REVIEWED / DATE	APPROVED / DATE
△	ISSUE FOR APPROVAL	HSS/070721		
△				



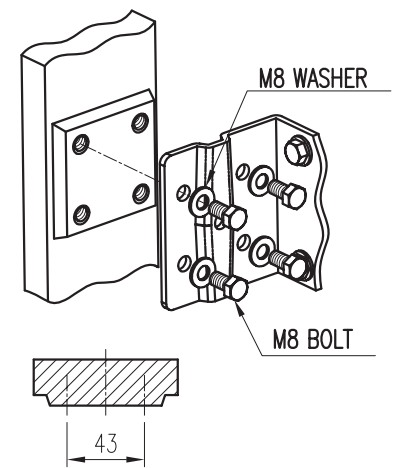
POLE TYPE ACTUATOR YOKE



LINEAR NAMUR BRACKET
(YT-2300L)



RIB TYPE ACTUATOR YOKE



PLANE TYPE ACTUATOR YOKE



SURFACE TEXTURE		PRODUCT NAME SMART POSITIONER		PROJECT NAME -	
FINISH TREATMENT		MODEL YT-2300L		YOUNG TECH CO., LTD. SEOUL, KOREA	
MATERIAL		PROJECTION 3rd	SCALE 1/1.5	TITLE YT-2300L NAMUR BRACKET ASSY	
OTHERWISE NOTE	GENERAL TOLERANCE	QUANTITY 1	SHEET No. 1	DRAWING NO. YT-2300L NAMUR BRACKET	REV. 0