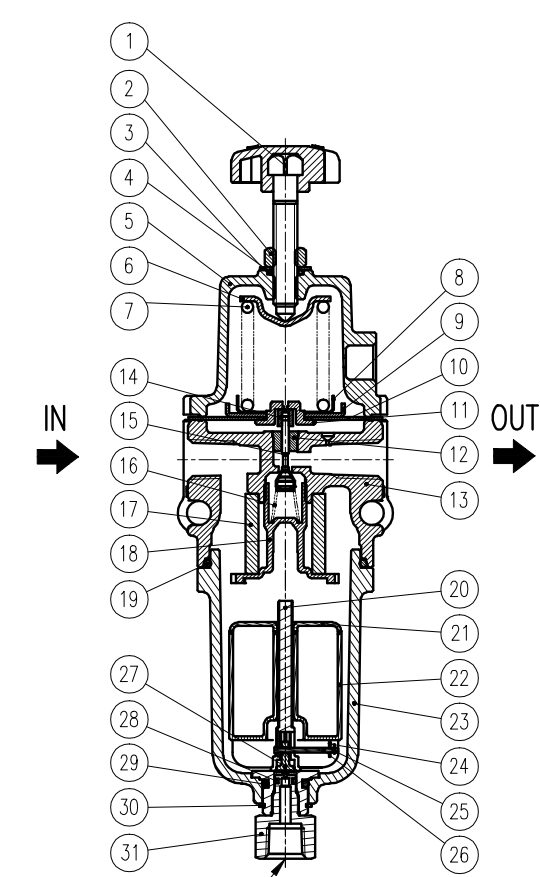


REV.NO.	REVISION DESCRIPTION	DRAWN / DATE	REVIEWED / DATE	APPROVED / DATE
△	First Issued	오승수/130130	정찬성/130130	이용희/130130
△				

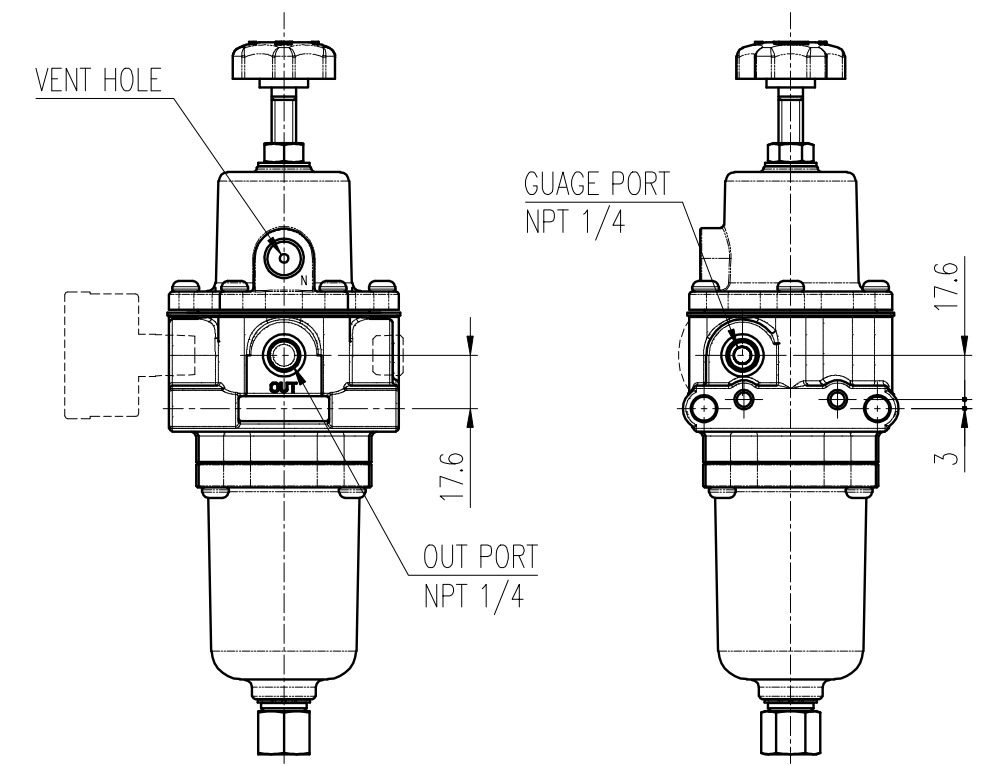
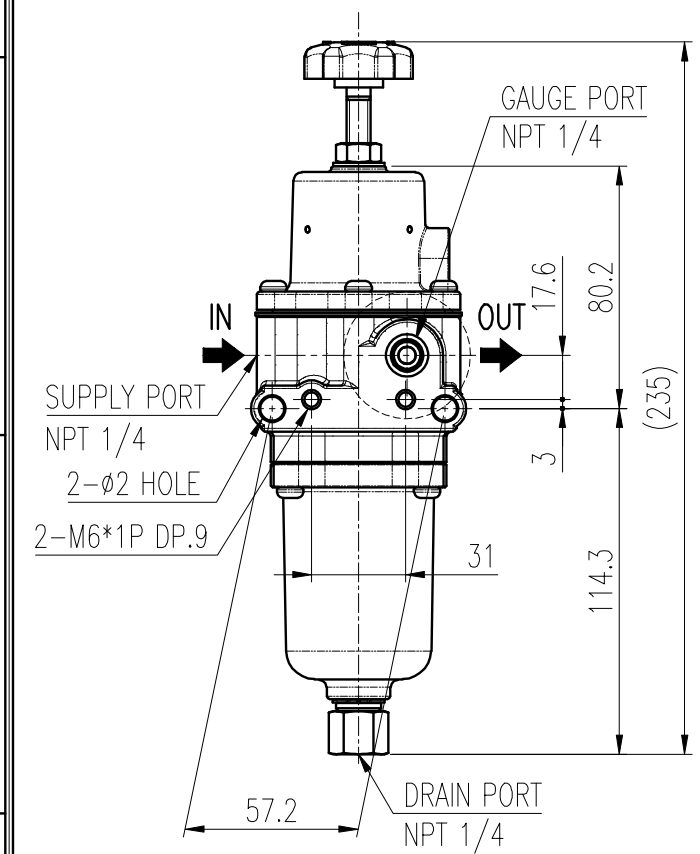
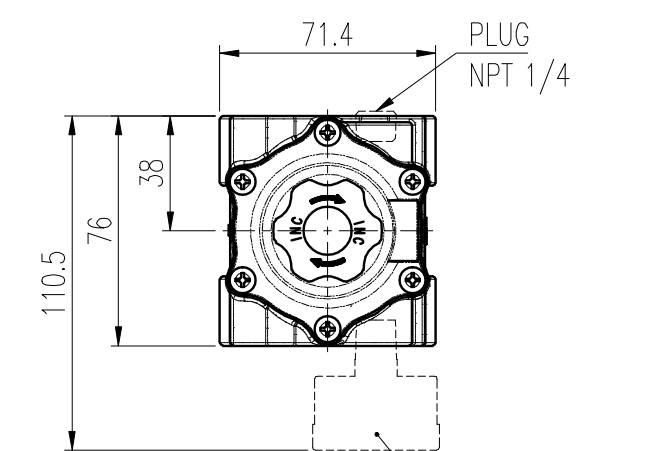


SPECIFICATION

Item	Description
Max. Supply Pressure	1.7 MPa (17bar)
Max. Outlet Pressure	<input type="checkbox"/> 0 ~ 0.42 MPa (4.2bar)
	<input type="checkbox"/> 0 ~ 0.84 MPa (8.4bar)
Air Connection	NPT 1/4
Gauge Connection	NPT 1/4
Ambient Temperature	<input type="checkbox"/> -20 ~ 70 °C (-4~158°F)
	<input type="checkbox"/> -20 ~ 120 °C (-4~248°F)
	<input type="checkbox"/> -40 ~ 70 °C (-40~158°F)
Min. Filtering Size	5 Micron
Material	STS316
Weight	1,770g (3.9 lb)

PART LIST

NO.	PART(DWG.) NO.	PART NAME	MATERIAL	Q'TY	REMARK
1	0200F FF 01 M2	BOLT ADJUST	STS304+PC	1	
2	M190-0071	NUT(M8*1P)	STS304	1	
3	M190-0041	WASHER (M8)	STS304	1	
4	M170-0076	O-RING (P8)	NBR	1	일반용
	M170-0087		SILICONE		내한, 내열용
5	0205F FF 02 L1	CASE SPRING	STS316	1	ø11.2
	0205F FF 02 L2				PT
	0205F FF 02 L3				NPT
6	0200F FF 03 P1	SEAT SPRING UPPER	STS304	1	
7	0205F FF 04 M2	SPRING ADJUST	STS316	1	0.4MPa
	0205F FF 04 M3				0.8MPa
8	0200F FF 05 P2	SEAT SPRING LOWER	STS304	1	
9	0200F FF 06 P1	PLATE DIAPHRAGM	STS304	1	
10	0200F FF 07 M1	DIAPHRAGM	NBR	1	일반용
	0200F FF 07 M2		SILICONE		내한, 내열용
11	0205F FF 18 L1	PUSHER	STS303	1	
12	0205F FF 09 L1	GUIDE STEM	STS316	1	
13	0205F FF 11 L1	BODY BASE	STS316	1	PT
	0205F FF 11 L2				NPT
14	0200F FF 19 M1	SEAT	NBR	1	일반용
	0200F FF 19 M2		SILICONE		내한, 내열용
15	0205F FF 12 M1	STEM	STS303+NBR	1	일반용
	0205F FF 12 M2		STS303+SILICONE		내한, 내열용
16	0200F FF 13 M1	SPRING CORN STEM	STS304	1	
17	0200F FF 10 M1	FILTER AIR	PE	1	일반, 내한용
	0200F FF 10 M2		BRONZE		내열용
18	0200F FF 23 M1	SUPPORT FILTER	ACETAL	1	
19	M170-0089	O-RING(AN135)	NBR	1	일반용
	M170-0090		SILICONE		내한, 내열용
20	0200F FF 29 M1	GUIDE FLOAT-AUTO DRAIN	ACETAL	1	
21	0200F FF 27 M1	CAP FLOAT-AUTO DRAIN	ACETAL	1	
22	0200F FF 26 M1	FLOAT-AUTO DRAIN	ACETAL	1	
23	0205F FF 19 L1	CASE FILTER-AUTO DRAIN	STS316	1	
24	0200F FF 28 P1	INSERT FLOAT-AUTO DRAIN	STS304	1	
25	M190-0090	E-RING(#1.2)	STS304	1	
26	0200F FF 31 L1	LEVER FLOAT-AUTO DRAIN	STS303	1	
27	0200F FF 30 M3	SEAT 코팅	PC+SILICONE	1	내한, 내열용
	0200F FF 30 M2		PC+NBR		일반용
28	M180-0379	O-RING(S5)	SILICONE	1	내한, 내열용
	M180-0378		NBR		일반용
29	M180-0377	O-RING(P11)	SILICONE	1	내한, 내열용
	M180-0376		NBR		일반용
30	M190-0091	C-RING(#15)	STS304	1	
31	0205F FF 20 L1	PLUG DRAIN-AUTO DRAIN	STS316	1	
32	M180-0271	BOLT(M5*16, RH)	STS304	10	



NOTE
1. Auto Drain 저유량 : 17cm³

SURFACE TEXTURE		PRODUCT NAME AIR FILTER REGULATOR		YOUNG TECH CO., LTD. SEOUL, KOREA	
FINISH TREATMENT		MODEL YT-205			
MATERIAL		PROJECTION	SCALE 1 / 2.5	TITLE Air Filter Regulator-Auto Drain	
OTHERWISE NOTE		GENERAL TOLERANCE	QUANTITY 1 / 1	DRAWING NO. YT-205(Auto Drain)	REV. 0