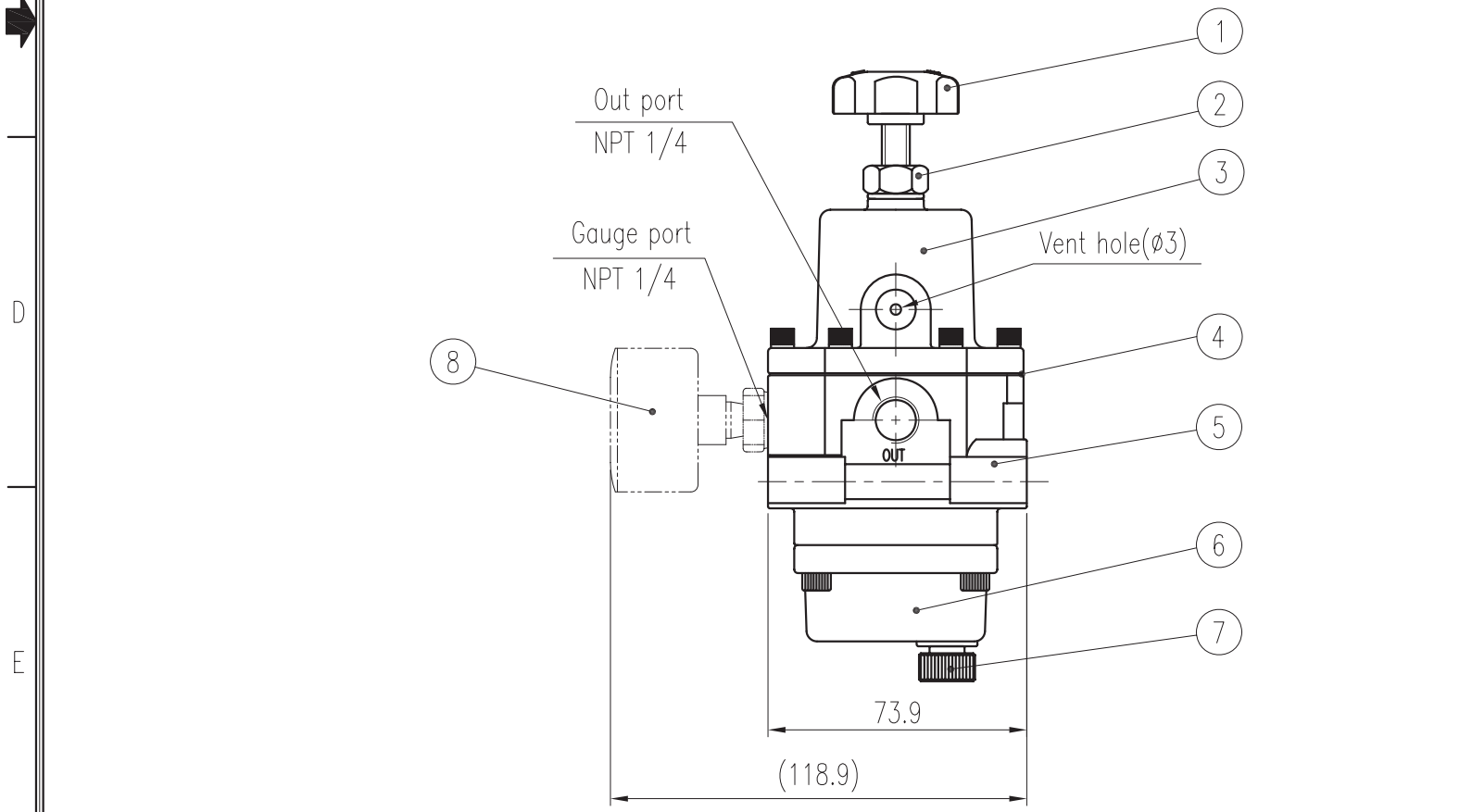
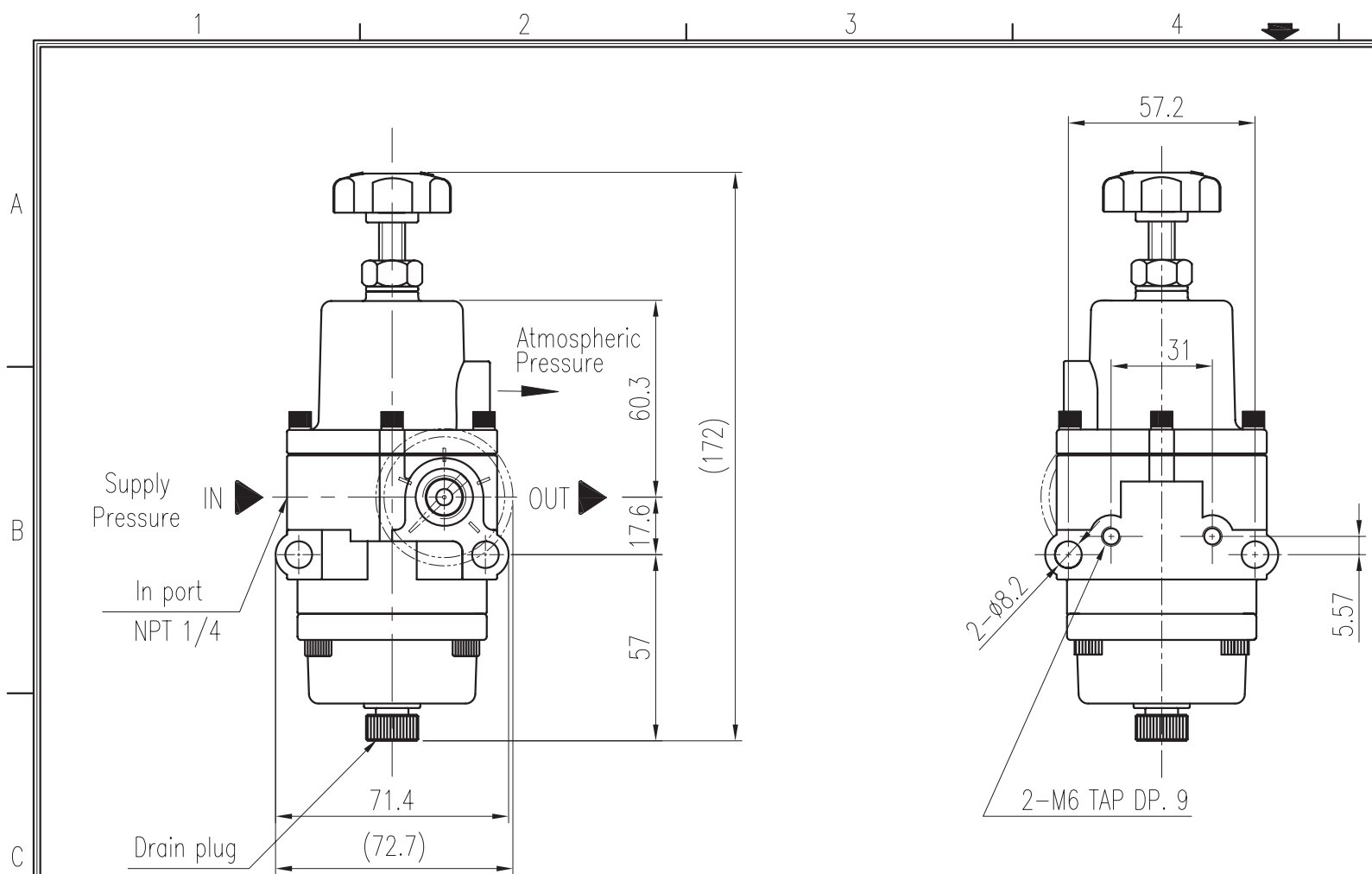


REV.NO.	REVISION DESCRIPTION	DRAWN / DATE	REVIEWED / DATE	APPROVED / DATE
△	ISSUE FOR APPROVAL	HSS/050602	KCH/050602	LYH/050602
△	DRAWING ARRANGEMENT	HSS/080125	JCS/080125	LYH/080125
△	DRAWING ARRANGEMENT	HSS/091023	JCS/091023	LYH/091023



**SPECIFICATIONS**

Applicable Fluid	Air	
Applicable Inlet Pressure	Max. 1.5 MPa (15 bar)	
Adjustment Output Pressure Range	<input type="checkbox"/>	0~0.21 MPa (2.1 bar)
	<input type="checkbox"/>	0~0.42 MPa (4.2 bar)
	<input type="checkbox"/>	0~0.84 MPa (8.4 bar)
Applicable Temperature	Standard	<input type="checkbox"/> -20 ~ 70 °C (-4~158°F)
	High	<input type="checkbox"/> -20 ~ 120 °C (-4~248°F)
	Low	<input type="checkbox"/> -40 ~ 70 °C (-40~158°F)
Air Connection	<input type="checkbox"/> PT 1/4	<input type="checkbox"/> NPT 1/4
Weight	1.4kg(3.0lb)	

NO.	PART NAME	MATERIAL	Q'TY	REMARK
8	PRESSURE GAUGE	STS 304	1	
7	DRAIN PLUG	STS 316	1	
6	FILTER CASE	STS 316	1	
5	BASE BODY	STS 316	1	
4	DIAPHRAGM ASS'Y	NBR , STS 304, STS 316	1	
3	SPRING CASE	STS 316	1	
2	NUT (M8)	STS 303	1	
1	ADJUST BOLT	STS 304	1	
NO.	PART NAME	MATERIAL	Q'TY	REMARK

PROJECT NAME -



SURFACE TEXTURE	PRODUCT NAME <b>AIR FILTER REGULATOR</b>	
FINISH TREATMENT	MODEL <b>YT-205</b>	
MATERIAL	PROJECTION <b>3rd</b>	SCALE <b>1/2</b>
OTHERWISE NOTE	GENERAL TOLERANCE	QUANTITY <b>1</b>
		SHEET No.
		TITLE <b>AIR FILTER REGULATOR ASS'Y DWG</b>
		DRAWING NO. <b>YT-205 (STANDARD)</b>
		REV. <b>2</b>