

| | | | |
|----------------------|--|---------------------------------|--------------------------------|
| Enclosure Protection | | Weather proof, IP67 | |
| Ambient Temp. | | -20°C~80°C | |
| Cable Entry | | <input type="checkbox"/> PT1/2 | <input type="checkbox"/> PT1/2 |
| | | <input type="checkbox"/> NPT1/2 | <input type="checkbox"/> M20 |
| Switch Type | | 2 X SPDT (Omron) | |
| Rating Voltage | | AC | Option-SS100L |
| | | 250V 3A | 250V 10.1A |
| | | 125V 5A | 125V 10.1A |
| | | 250V 0.2A | 250V 0.2A |
| | | 125V 0.4A, 30V 4A | 125V 0.4A, 30V 4A |
| Mounting Bracket | | NAMUR VDI/VDE 3845, ISO 5211 | |
| Weight | | 880g (1.94lb) | |
| Terminal | | 8 Points | |

LIMIT SWITCH BOX (2xPROXIMITY SENSOR)

| | | | |
|----------------------|--|--------------------------------------|-------------------------------------|
| Enclosure Protection | | Weather proof, IP67 | |
| Ambient Temp. | | -20°C~80°C | |
| Cable Entry | | <input type="checkbox"/> PT1/2 | <input type="checkbox"/> PT1/2 |
| | | <input type="checkbox"/> NPT1/2 | <input type="checkbox"/> M20 |
| Rating | | <input type="checkbox"/> 12 ~ 24V DC | <input type="checkbox"/> 0 ~ 25V DC |
| Switch Type | | 2 X Proximity Sensor | |
| Over Travel | | - | |
| Operating Force | | - | |
| Mounting Bracket | | NAMUR VDI/VDE 3845, ISO 5211 | |
| Weight | | 880g (1.94lb) | |
| Terminal | | 12 Points | |

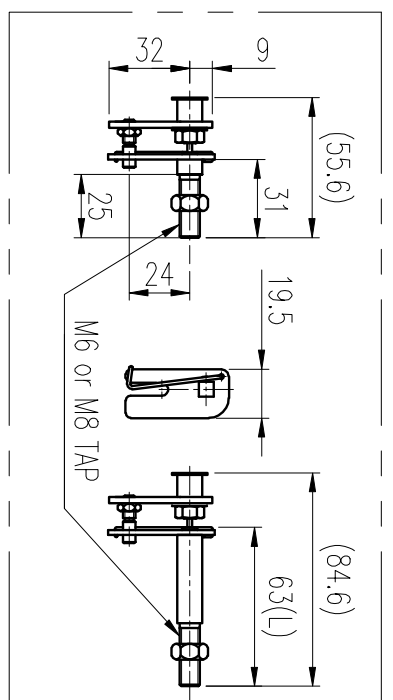
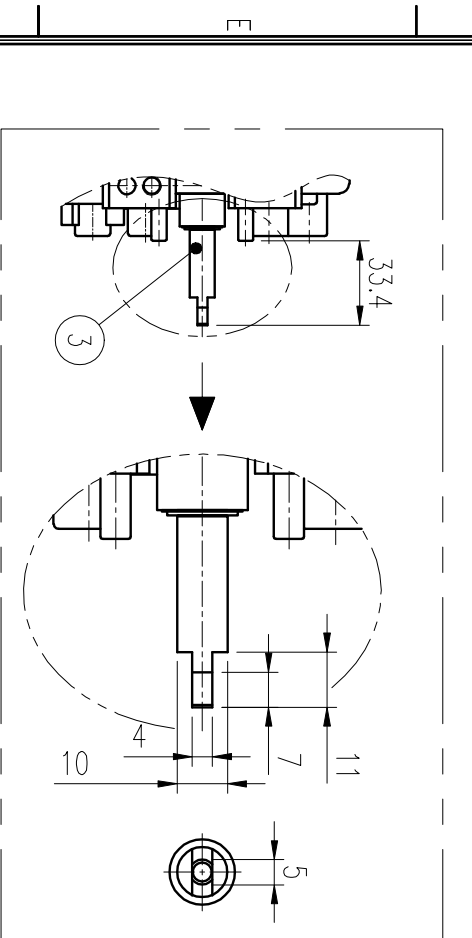
SPECIFICATIONS

| | | | | |
|------------------|---|-----|--------------------|---|
| Applicable Fluid | <input type="checkbox"/> Single <input type="checkbox"/> Double | Air | Air Connection | PT(NPT) 1/4 |
| Acting Type | | | Gauge Connection | PT(NPT) 1/8 |
| Input Signal | 0.02~0.1MPa (0.2~1bar) | | Pressure | <input type="checkbox"/> 0.2MPa |
| Supply Pressure | 0.14~0.7MPa (1.4~7bar) | | Gauge | <input type="checkbox"/> 0.4MPa |
| Stroke | 0 ~ 90° | | Output | <input type="checkbox"/> 0.8MPa |
| Protection | IP66 | | Air Consumption | < 3 LPM (Sup.=0.14MPa, 1.4bar) |
| Ambient Temp. | -20°C ~ 70°C (-4°F ~ 158°F) | | Max. Flow Capacity | > 80 LPM (Sup.=0.14MPa, 1.4bar) |
| Linearity | ±2.0% F.S. | | Material | Aluminum Diecasting |
| Hysteresis | ±1.0% F.S. | | Weight | 1.7kg (3.1lb) |
| Sensitivity | ±0.5% F.S. | | Lever Type | <input type="checkbox"/> M6 <input type="checkbox"/> L=34 <input type="checkbox"/> M8 <input type="checkbox"/> L=63 <input type="checkbox"/> Normur |
| Repeatability | ±0.5% F.S. | | | |

LIMIT SWITCH BOX (2xDPDT)

| | | | |
|----------------------|--|-------------------------------------|-------------------------------------|
| Enclosure Protection | | Weather proof, IP67 | |
| Ambient Temp. | | -20°C~80°C | |
| Cable Entry | | <input type="checkbox"/> PT1/2 | <input type="checkbox"/> PT1/2 |
| | | <input type="checkbox"/> NPT1/2 | <input type="checkbox"/> M20 |
| Rating | | <input type="checkbox"/> 8A, 250VAC | <input type="checkbox"/> 10mA, 5VDC |
| Switch Type | | 2 X DPDT | |
| Over Travel | | 0.15mm(Min) | |
| Operating Force | | 4.5N | |
| Mounting Bracket | | NAMUR VDI/VDE 3845, ISO 5211 | |
| Weight | | 880g (1.94lb) | |
| Terminal | | 12 Points | |

| | | | | |
|---|----------------------|----------|-----|-------------------|
| 7 | BLOCK | ALDC12 | 1 | |
| 6 | LIMIT SWITCH BRACKET | SIS 303 | 1 | |
| 5 | LIMIT SWITCH BOX | ALDC12 | 1 | YT-850 |
| 4 | PRESSURE GAUGE | SIS 304 | 2 | |
| 3 | CONNECT LEVER ASS'Y | SIS 304 | 1 | FORK LEVER, NAMUR |
| 2 | COVER BASE | ALDC12 | 1 | |
| 1 | BODY BASE | ALDC12 | 1 | |
| | | MATERIAL | QTY | REMARK |
| | | | | |



| | | | | | |
|------------------|--|-------------------|--|-------------------|--|
| SURFACE TEXTURE | | PRODUCT NAME | | P/P POSITIONER | |
| FINISH TREATMENT | | MODEL | | YT-1200R + YT-850 | |
| MATERIAL | | PROJECTION | | SCALE | |
| OTHERWISE NOTE | | GENERAL TOLERANCE | | QUANTITY | |
| | | 1 | | SHEET No. 1 / 1 | |
| | | DRAWING NO. | | YT-1200R + YT-850 | |
| | | REV. | | 2 | |

