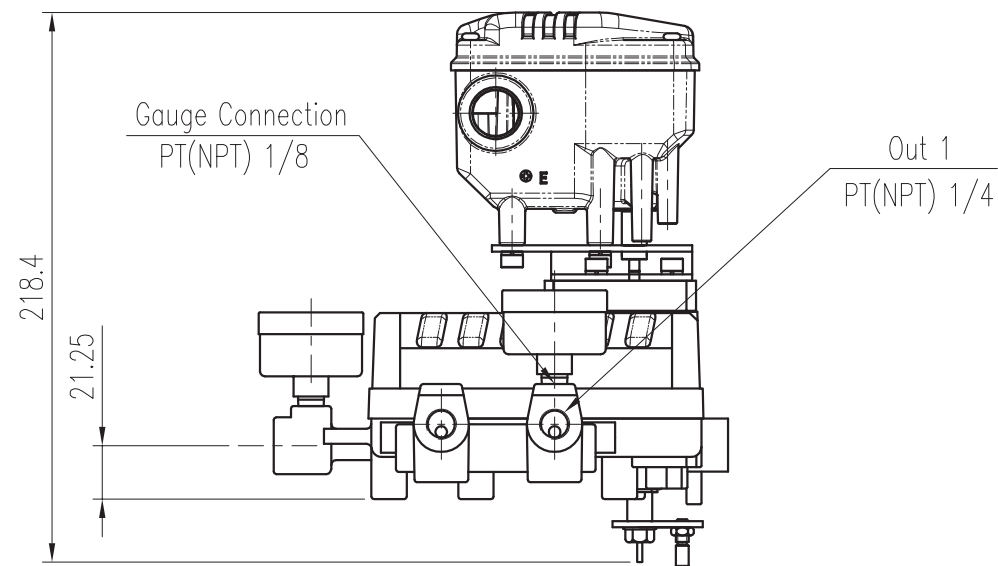
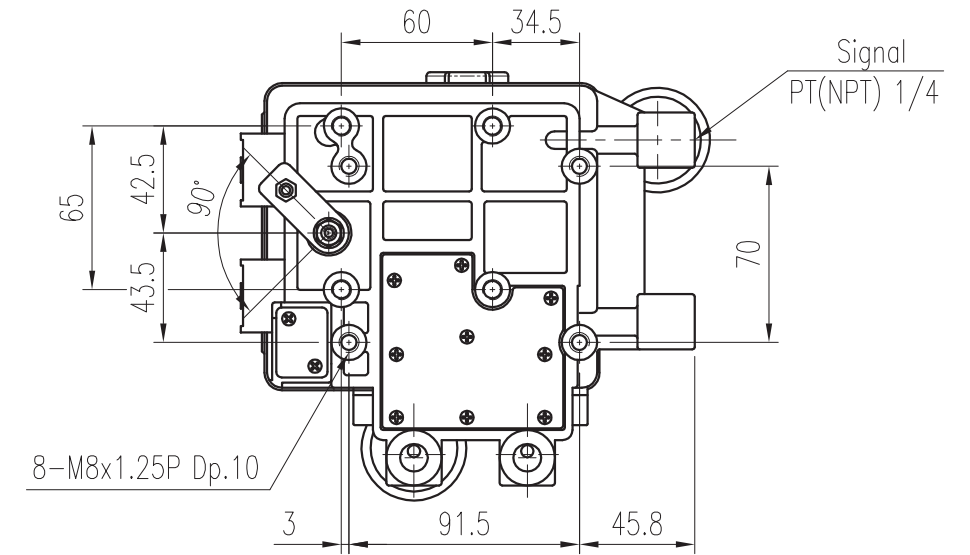
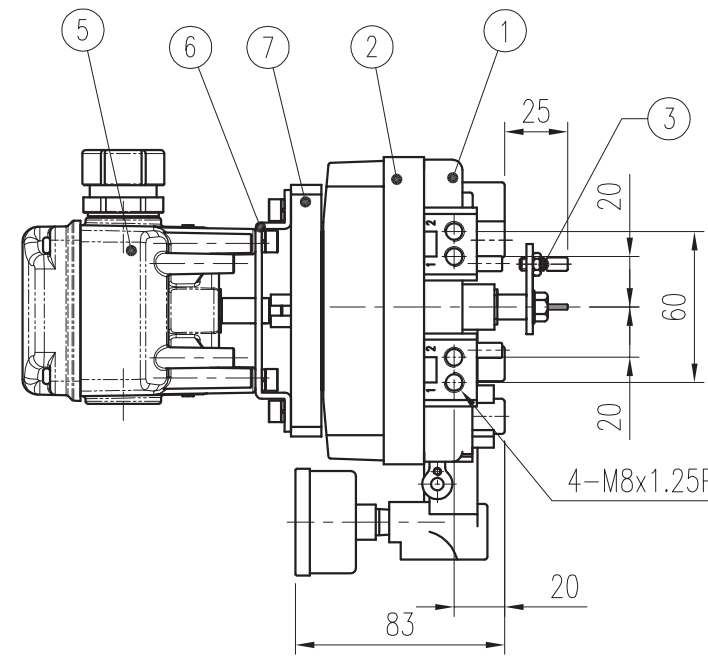
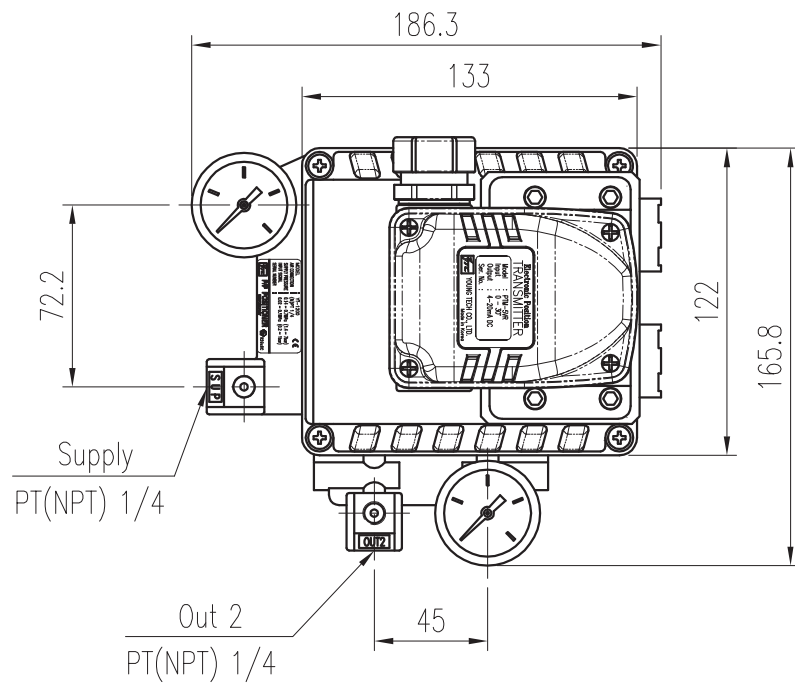


REV.NO.	REVISION DESCRIPTION	DRAWN / DATE	REVIEWED / DATE	APPROVED / DATE
△	ISSUE FOR APPROVAL	HSS/080305	HSS/080305	LYH/080305
△	DRAWING ARRANGEMENT	KBJ/121109	JCS/121109	LYH/121109

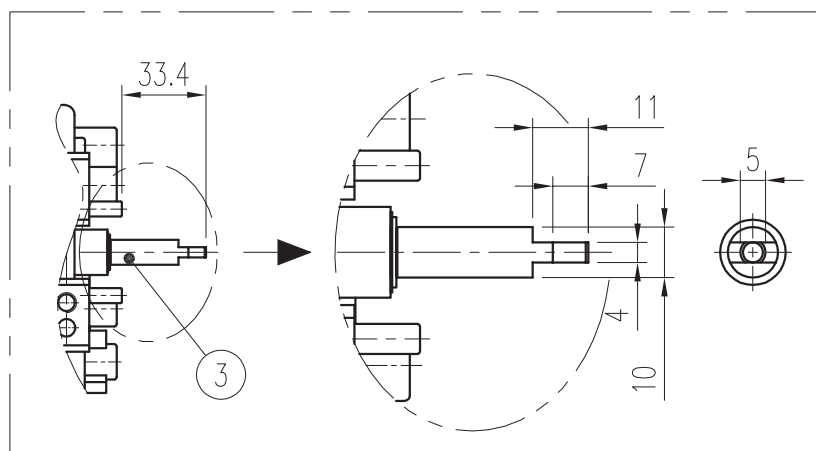


SPECIFICATIONS (TRANSMITTER)

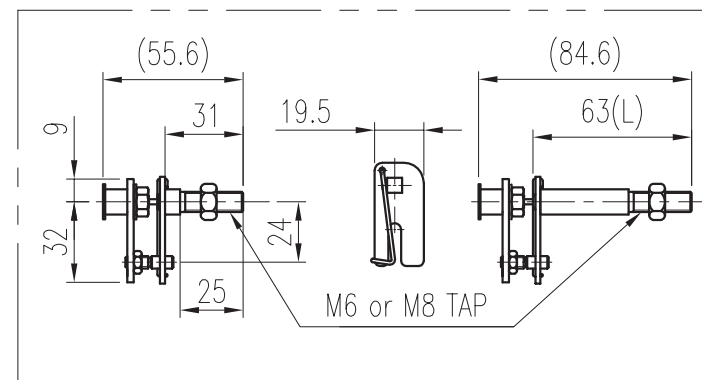
Input Type	2 Wire
Output	4 ~ 20mA DC
Noise Range	50mVp.p
Explosion Proof	ExiallCT6
Protection	IP 67
Input Signal	0 ~ 90°
Load Resistance	Max. 880 Ohm / 28V DC
Connection	PF 1/2, (G 1/2)
Ambient Temp.	Operating -30 ~ 85 °C (-22 ~ 185 °F)
	Explosion -20 ~ 60 °C (-4 ~ 140 °F)
Linearity	±1% F.S.
Hysteresis	±0.2% F.S.
Sensitivity	±0.2% F.S.
Supply Voltage	9~28V DC
Weight	0.6 kg(1.3 lb)
Material	Aluminum Diecasting

SPECIFICATIONS

Applicable Fluid	Air	Air Connection	PT(NPT) 1/4
Acting Type	<input type="checkbox"/> Single <input type="checkbox"/> Double	Gauge Connection	PT(NPT) 1/8
Input Signal	0.02~0.1MPa (0.2~1bar)	Pressure Gauge	Signal <input type="checkbox"/> 0.2MPa
Supply Pressure	0.14~0.7MPa (1.4~7bar)		Output <input type="checkbox"/> 0.4MPa
Stroke	0 ~ 90°		<input type="checkbox"/> 0.8MPa
Protection	IP66	Air Consumption	< 3 LPM (Sup.=0.14MPa, 1.4bar)
Ambient Temp.	-20°C ~ 70°C (-4°F ~ 158°F)	Max. Flow Capacity	> 80 LPM (Sup.=0.14MPa, 1.4bar)
Linearity	±2.0% F.S.	Material	Aluminum Diecasting
Hysteresis	±1.0% F.S.	Weight	1.7kg (3.1lb)
Sensitivity	±0.5% F.S.	Lever Type	<input type="checkbox"/> M6 <input type="checkbox"/> L=34 <input type="checkbox"/> Namur
Repeatability	±0.5% F.S.		<input type="checkbox"/> M8 <input type="checkbox"/> L=63



NAMUR SHAFT TYPE



FORK LEVER TYPE

NO.	PART NAME	MATERIAL	Q'TY	REMARK
7	BLOCK	ALDC12	1	
6	BRACKET	STS 303	1	
5	TRANSMITTER	ALDC12	1	SPTM-5VR
4	PRESSURE GAUGE	STS 304	2	
3	CONNECT LEVER ASS'Y	STS 304	1	FORK LEVER, NAMUR
2	COVER BASE	ALDC12	1	
1	BODY BASE	ALDC12	1	

SURFACE TEXTURE		PRODUCT NAME			
FINISH TREATMENT		P/P POSITIONER			
MATERIAL		MODEL		TITLE	
OTHERWISE NOTE		PROJECTION		PNEUMATIC-PNEUMATIC ROTARY POSITIONER ASS'Y DWG with SPTM	
GENERAL TOLERANCE		SCALE		DRAWING NO.	
		3rd 1 / 3		YT-1200R + SPTM5VR	
		QUANTITY		REV.	
		1 1 / 1		1	