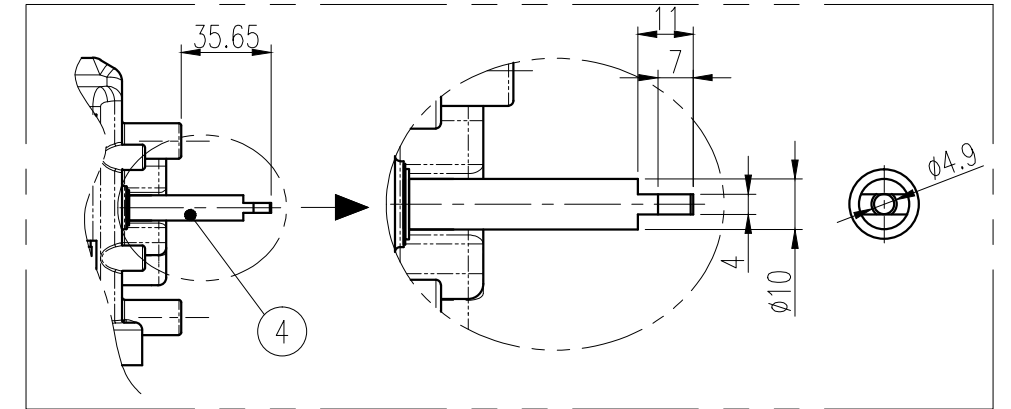


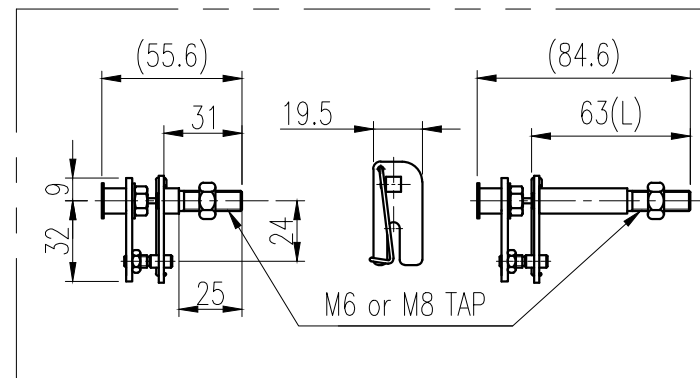
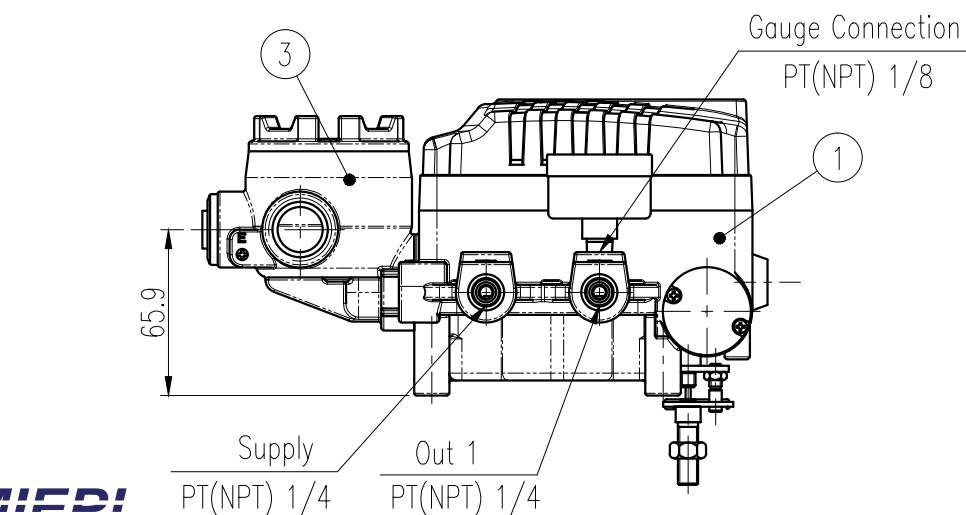
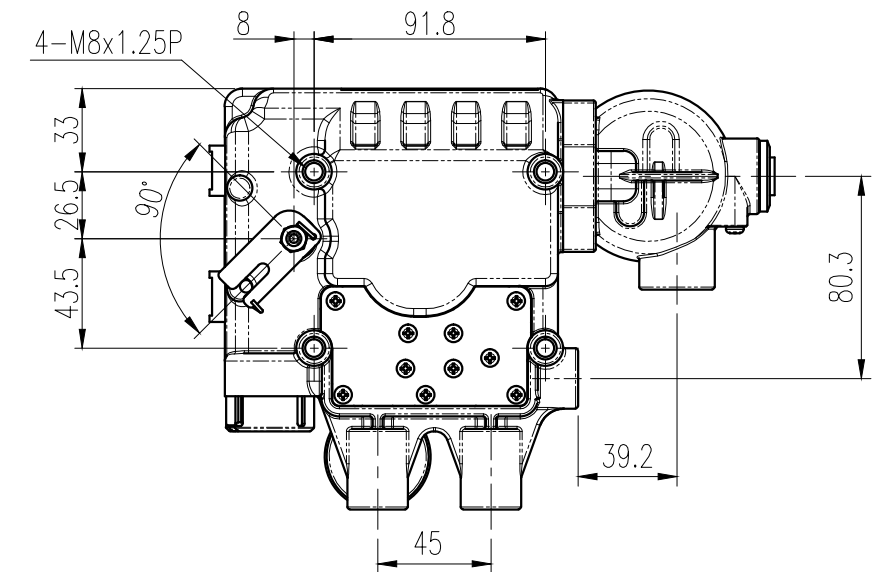
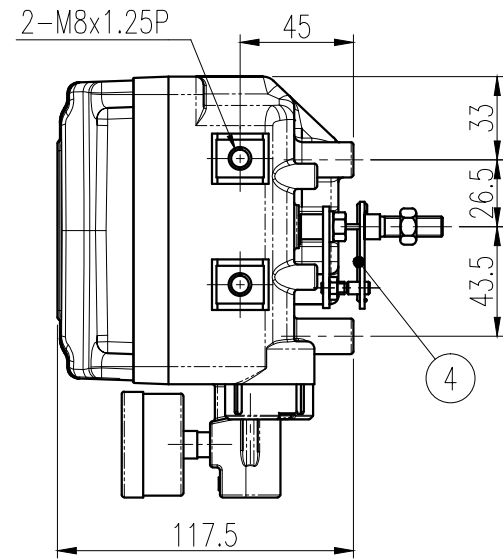
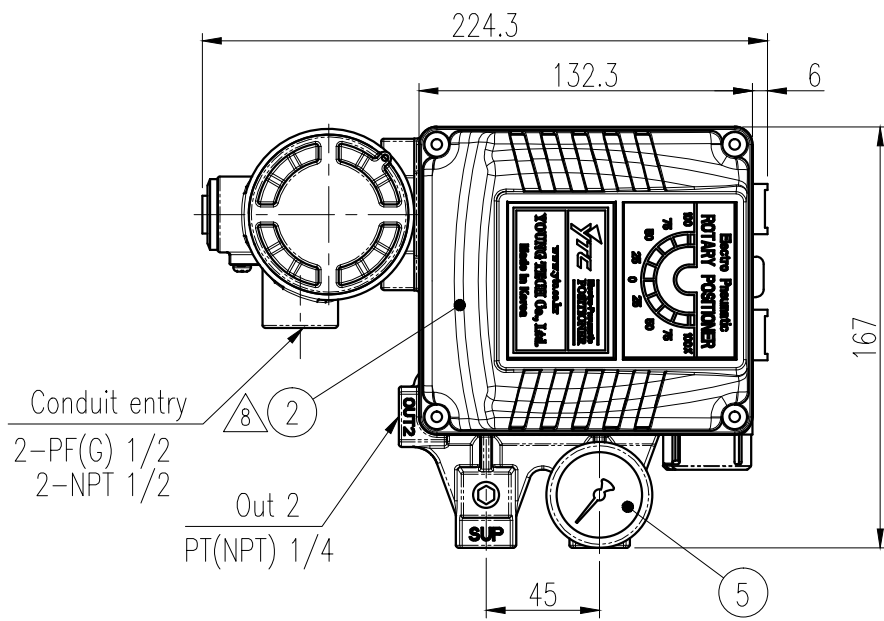
△	DRAWING ARRANGEMENT	OSS/120315	KCH/120315	LYH/110812	REV.NO.	REVISION DESCRIPTION	DRAWN / DATE	REVIEWED / DATE	APPROVED / DATE
△	DRAWING ARRANGEMENT				△	DRAWING ARRANGEMENT	HSS/080305	JCS/080305	LYH/080305
△	DRAWING ARRANGEMENT				△	DRAWING ARRANGEMENT	LJS/110415	KCH/110415	LYH/110415
△	DRAWING ARRANGEMENT				△	DRAWING ARRANGEMENT	MDK/110812	KCH/110812	LYH/110812

**SPECIFICATIONS**

Applicable Fluid	Air		Air Connection	PT(NPT) 1/4	
Acting Type	<input type="checkbox"/> Single	<input type="checkbox"/> Double	Gauge Connection	PT(NPT) 1/8	
Input Signal	4 ~ 20 mA DC		Conduit entry	PF 1/2 (G 1/2), NPT 1/2	
Impedance	250±15Ω		Explosion Proof	<input type="checkbox"/> Ex dm IIB T5	<input type="checkbox"/> Ex dm IIB T5(FM)
Supply Pressure	0.14 ~ 0.7MPa (1.4 ~ 7bar)			<input type="checkbox"/> Ex dm IIC T5	<input type="checkbox"/> Ex ia IIB T6
Stroke	0° ~ 90°		<input type="checkbox"/> Non-Explosion		
Pressure Gauge	<input type="checkbox"/> 0.4MPa	<input type="checkbox"/> 0.8MPa	Air Consumption	< 3 LPM (Sup.=0.14MPa, 1.4bar)	
Linearity	±1.0% F.S.		Flow Capacity	> 80 LPM (Sup.=0.14MPa, 1.4bar)	
Hysteresis	±1.0% F.S.		Protection	IP66	
Sensitivity	±0.2% F.S.		Weight	2.7kg (6.1lb)	
Repeatability	±0.5% F.S.		Lever Type	<input type="checkbox"/> M6	<input type="checkbox"/> L=34
Ambient Temp	Operation	-20°C ~ 70°C (-4 ~ 158°F)		<input type="checkbox"/> M8	<input type="checkbox"/> L=63
Explosion		-20°C ~ 60°C (-4 ~ 140°F)	Material	ALUMINUM DIECASTING	



**NAMUR SHAFT TYPE**



**FORK LEVER TYPE**

5	PRESSURE GAUGE	STS 304	1	
4	CONNECT LEVER ASS'Y	STS 303, 304P	1	FORK LEVER, NAMUR
3	JUNCTION BOX	ALDC12	1	
2	COVER BASE	ALDC12	1	
1	BODY BASE	ALDC12	1	
NO.	PART NAME	MATERIAL	Q'TY	REMARK

SURFACE TEXTURE	PRODUCT NAME	E/P POSITIONER		YOUNG TECH CO., LTD. SEOUL, KOREA
FINISH TREATMENT	MODEL	YT-1000R		
MATERIAL	PROJECTION	3rd	SCALE	1 / 3
OTHERWISE NOTE	GENERAL TOLERANCE	QUANTITY	SHEET No.	1 / 1
PROJECT NAME			-	
DRAWING NO.				REV.
YT-1000R STANDARD				7

