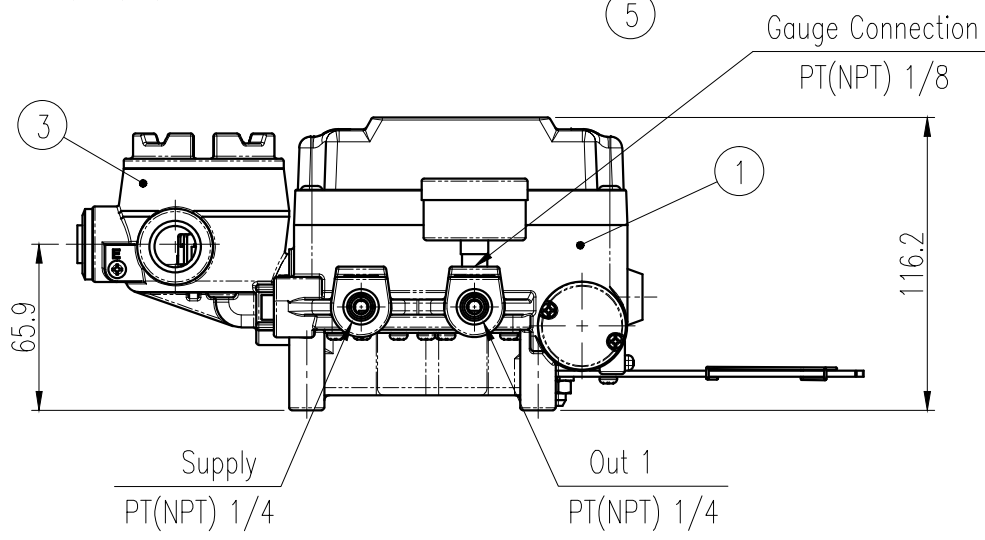
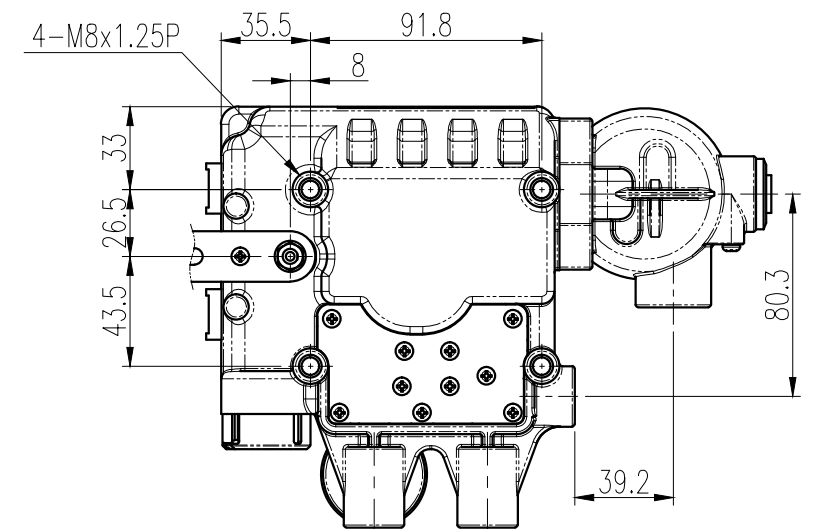
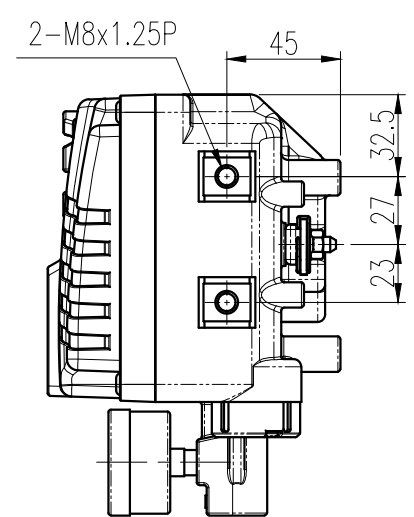
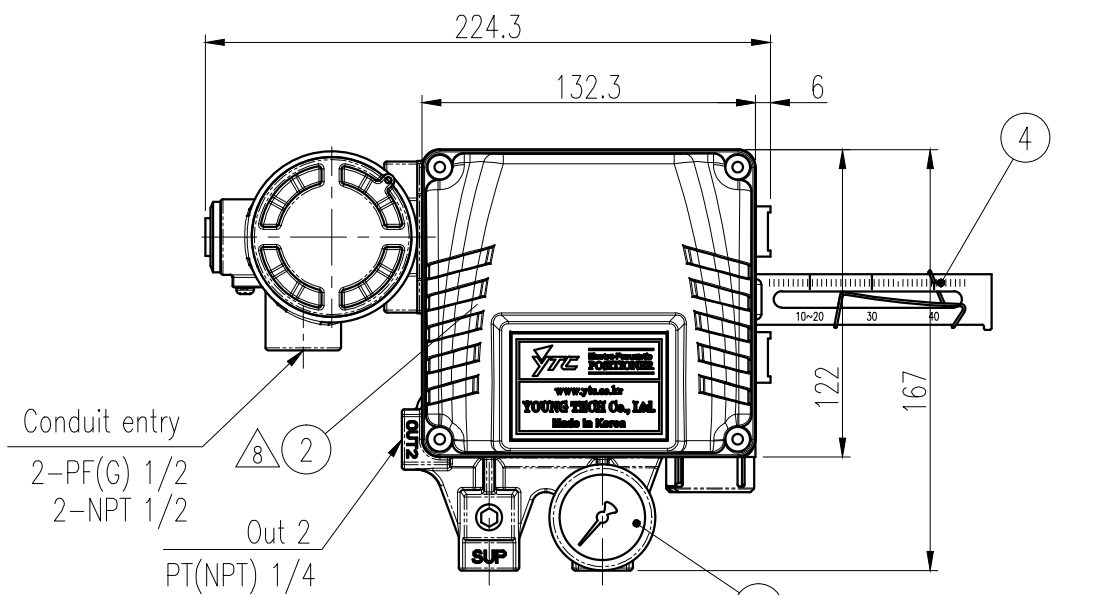
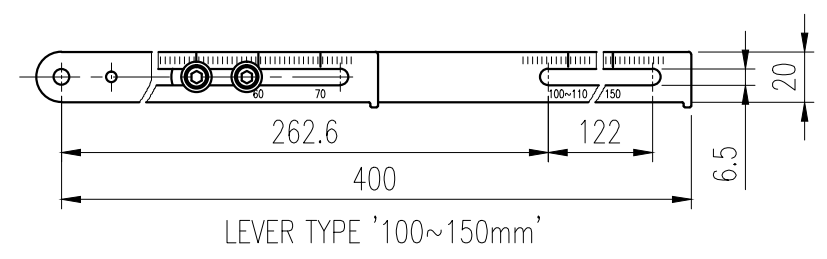
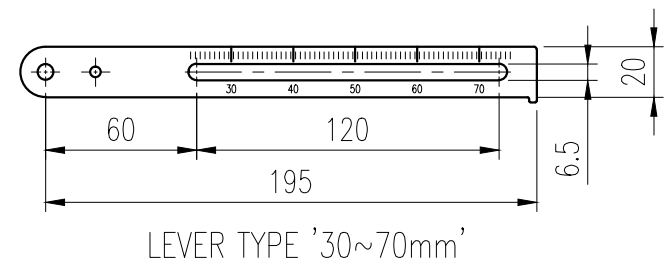
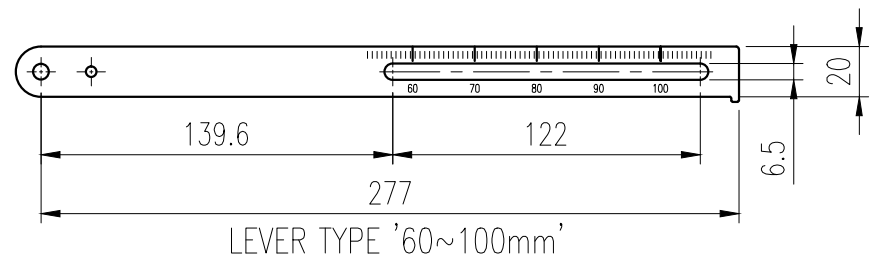
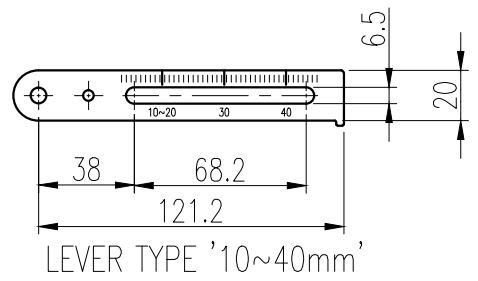


REV.NO.	REVISION DESCRIPTION	DRAWN / DATE	REVIEWED / DATE	APPROVED / DATE
△	DRAWING ARRANGEMENT	HSS/060612	KCH/060612	LYH/060612
△	DRAWING ARRANGEMENT	HSS/080305	JCS/080305	LYH/080305
△	DRAWING ARRANGEMENT	LJS/110415	KCH/110415	LYH/110415
△	DRAWING ARRANGEMENT	MDK/110812	KCH/110812	LYH/110812



**SPECIFICATIONS**

Applicable Fluid	Air		Air Connection	PT(NPT) 1/4
Acting Type	<input type="checkbox"/> Single	<input type="checkbox"/> Double	Gauge Connection	PT(NPT) 1/8
Input Signal	4 ~ 20 mA DC		Conduit entry	PF 1/2 (G 1/2), NPT 1/2
Impedance	250±15 Ω		Explosion Proof	<input type="checkbox"/> Ex dm IIB T5 <input type="checkbox"/> Ex dm IIB T5(FM) <input type="checkbox"/> Ex dm IIC T5 <input type="checkbox"/> Ex ia IIB T6 <input type="checkbox"/> Non-Explosion
Supply Pressure	0.14 ~ 0.7MPa (1.4 ~ 7bar)		Air Consumption	< 3 LPM (Sup.=0.14MPa, 1.4bar)
Stroke	10 ~ 150mm		Flow Capacity	> 80 LPM (Sup.=0.14MPa, 1.4bar)
Pressure Gauge	<input type="checkbox"/> 0.4MPa	<input type="checkbox"/> 0.8MPa	Protection	IP66
Linearity	±1.0% F.S.	±2.0% F.S.	Weight	2.7kg (6.1lb)
Hysteresis	±1.0% F.S.		Lever Type	<input type="checkbox"/> 10~40mm <input type="checkbox"/> 30~70mm <input type="checkbox"/> 60~100mm <input type="checkbox"/> 100~150mm
Sensitivity	±0.2% F.S.	±0.5% F.S.	Material	ALUMINUM DIECASTING
Repeatability	±0.5% F.S.			
Ambient Temp	Operation	-20°C ~ 70°C (-4 ~ 158°F)		
	Explosion	-20°C ~ 60°C (-4 ~ 140°F)		



NO.	PART NAME	MATERIAL	Q'TY	REMARK
5	PRESSURE GAUGE	STS304	1	
4	FEEDBACK LEVER	STS304	1	
3	JUNCTION BOX	ALDC12	1	
2	COVER BASE	ALDC12	1	
1	BODY BASE	ALDC12	1	
				PROJECT NAME
				-

SURFACE TEXTURE	PRODUCT NAME	<b>E/P POSITIONER</b>		<b>YOUNG TECH CO., LTD.</b> SEOUL, KOREA
FINISH TREATMENT	MODEL	<b>YT-1000L</b>		
MATERIAL	PROJECTION	3rd	SCALE	TITLE
OTHERWISE NOTE	GENERAL TOLERANCE	QUANTITY	1 / 3	<b>ELECTRO PNEUMATIC LINEAR POSITIONER ASS'Y DWG (STANDARD)</b>
		1	SHEET No.	DRAWING NO.
			1 / 1	<b>YT-1000L STANDARD</b>
				REV. <b>7</b>