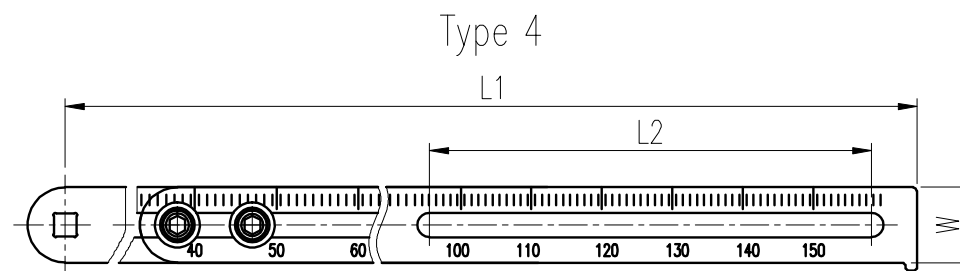
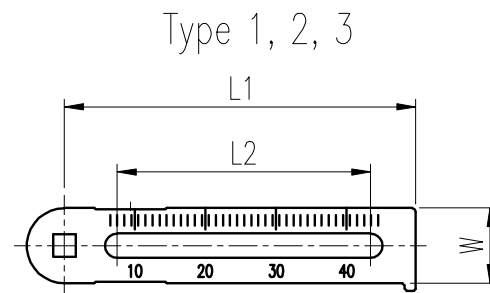
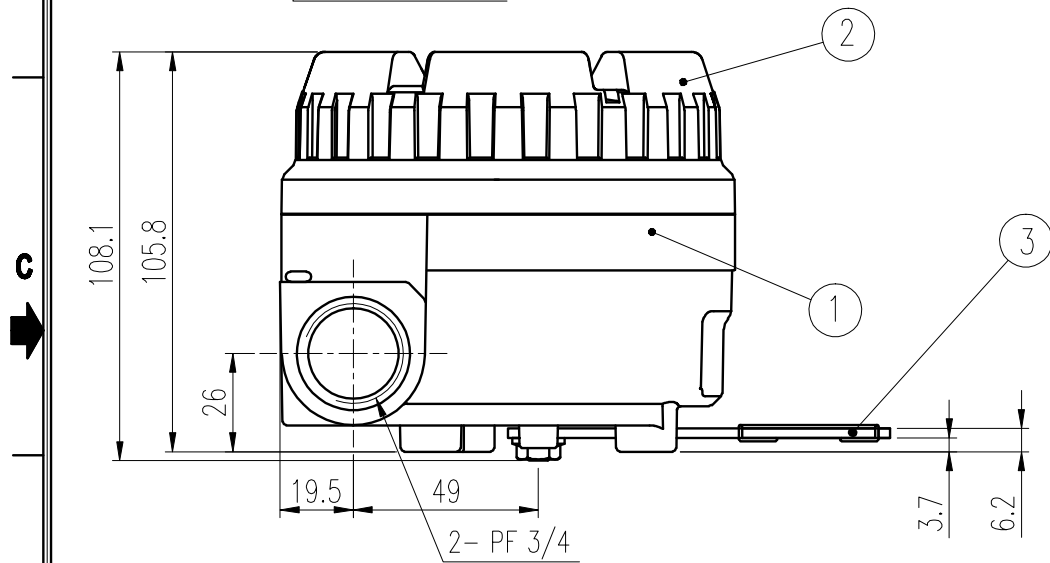
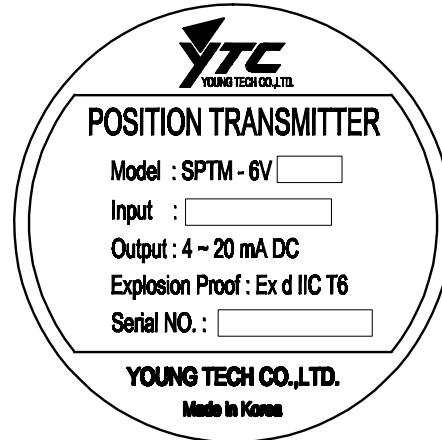
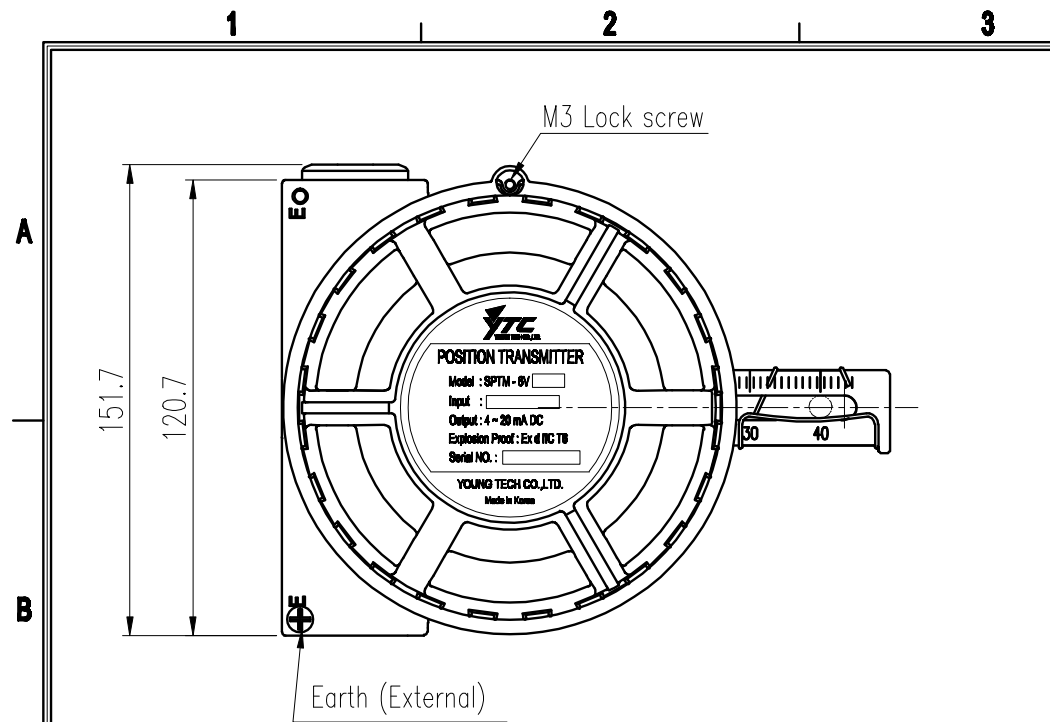
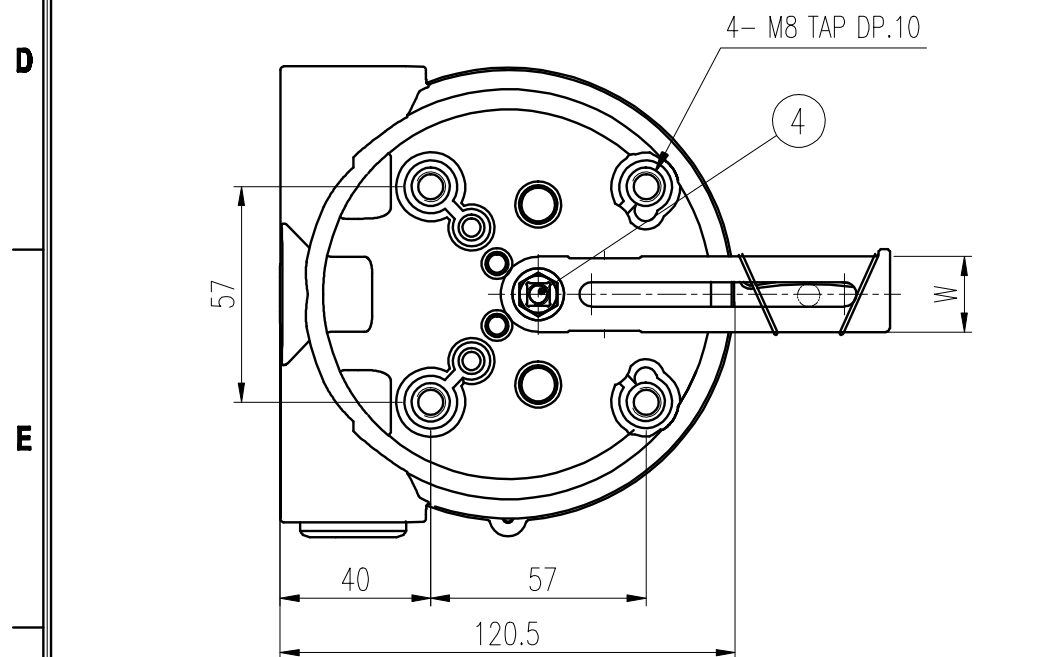


| REV.NO. | REVISION DESCRIPTION | DRAWN / DATE | REVIEWED / DATE | APPROVED / DATE |
|---------|----------------------|--------------|-----------------|-----------------|
| △ | ISSUE FOR APPROVAL | KDH/110726 | | |
| △ | | | | |



| Lever Type | Stroke(mm) | L1(mm) | L2(mm) | W(mm) |
|------------|------------|--------|--------|-------|
| 1 | 10~40 | 93.0 | 67.0 | 20.0 |
| 2 | 20~70 | 153.5 | 106.5 | |
| 3 | 50~100 | 214.0 | 117.0 | |
| 4 | 100~150 | 307.3 | | |



SPECIFICATIONS

| | | |
|-----------------|-------------------------------------|--------------------------------------|
| Input Type | 2 Wire | |
| Output | 4 ~ 20mA DC | |
| Noise Range | 50mV p.p | |
| Explosion Proof | Ex d IIC T6 | |
| Protection | IP 66 | |
| Input Signal | 0 ~ 30° | |
| Load Resistance | Max. 600 Ohm / 28V DC | |
| Stroke | 10~150mm | |
| Lever Type | <input type="checkbox"/> 10 ~ 40mm | <input type="checkbox"/> 20 ~ 70mm |
| | <input type="checkbox"/> 50 ~ 100mm | <input type="checkbox"/> 100 ~ 150mm |
| Connection | PF 3/4, (G 3/4) | |
| Ambient Temp. | Operating | -30 ~ 85 °C (-22 ~ 185°F) |
| | Explosion | -20 ~ 60 °C (-4 ~ 140°F) |
| Linearity | ±1% F.S. | |
| Hysteresis | ±0.2% F.S. | |
| Sensitivity | ±0.2% F.S. | |
| Input Voltage | 15~30V DC | |
| Weight | 1.2kg (2.7 lb) | |
| Material | ALUMINUM DIECASTING | |

| | | | | |
|-----|----------------|----------|------|--------|
| 4 | LEVER SHAFT | STS 303 | 1 | |
| 3 | FEEDBACK LEVER | STS 304 | 1 | |
| 2 | BASE COVER | ALDC12 | 1 | |
| 1 | BASE BODY | ALDC12 | 1 | |
| NO. | PART NAME | MATERIAL | Q'TY | REMARK |

PROJECT NAME -

MIEPL
INDIAN SALES PARTNER

| | | |
|-------------------|--------------------------------------|---|
| SURFACE TEXTURE | PRODUCT NAME POSITION TRANSMITTER | YTC YOUNG TECH CO., LTD. SEOUL, KOREA |
| FINISH TREATMENT | MODEL SPTM-6VL | |
| MATERIAL | PROJECTION 3rd | TITLE LINEAR TRANSMITTER ASS'Y DWG |
| OTHERWISE NOTE | SCALE 1 / 2 | DRAWING NO. SPTM-6VL |
| GENERAL TOLERANCE | QUANTITY 1 | SHEET No. 1 / 1 |
| | | REV. 0 |