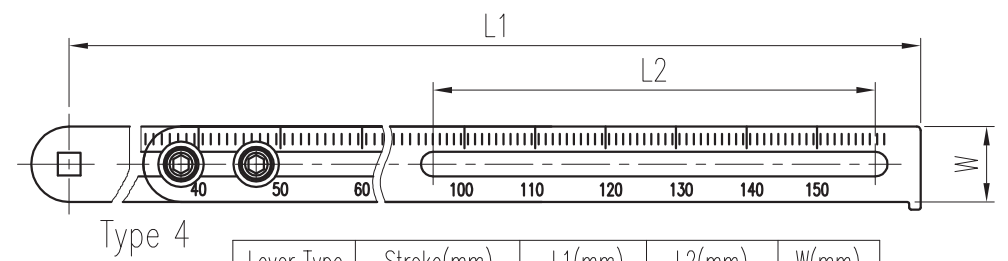
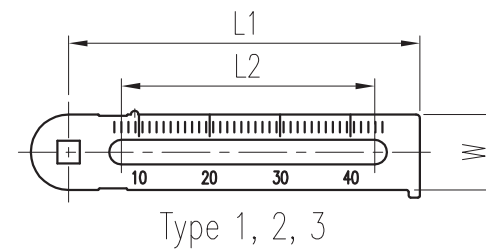
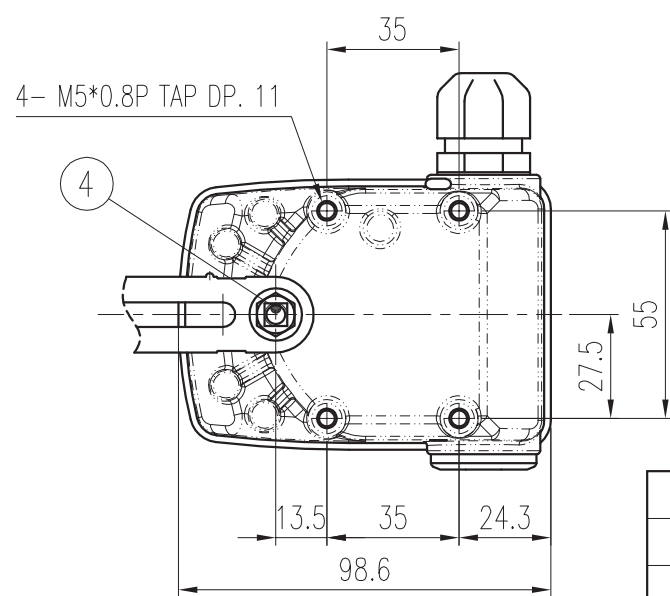
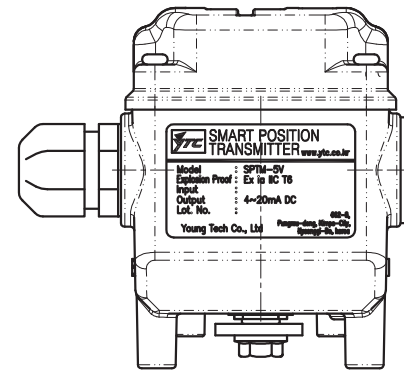
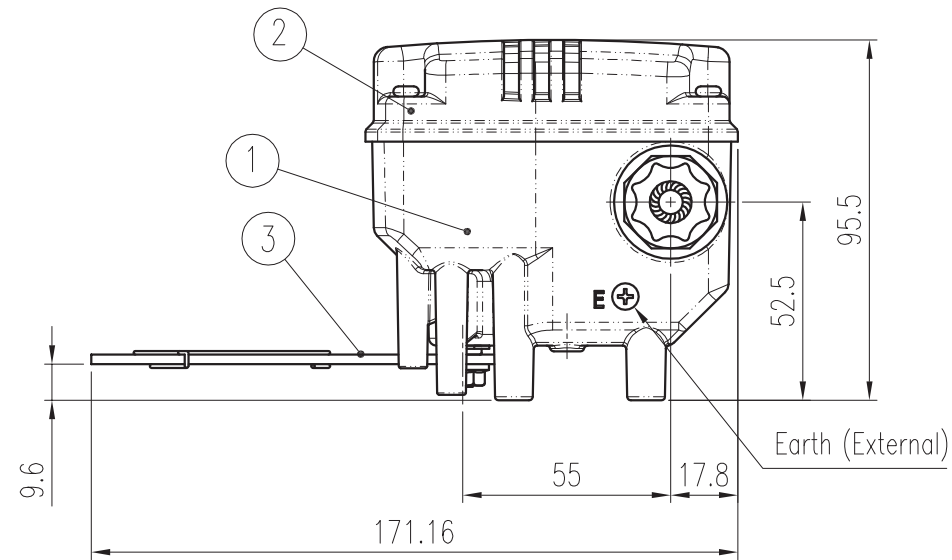
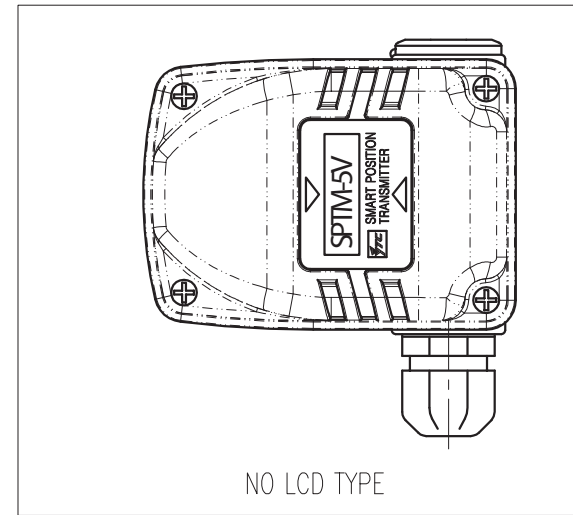
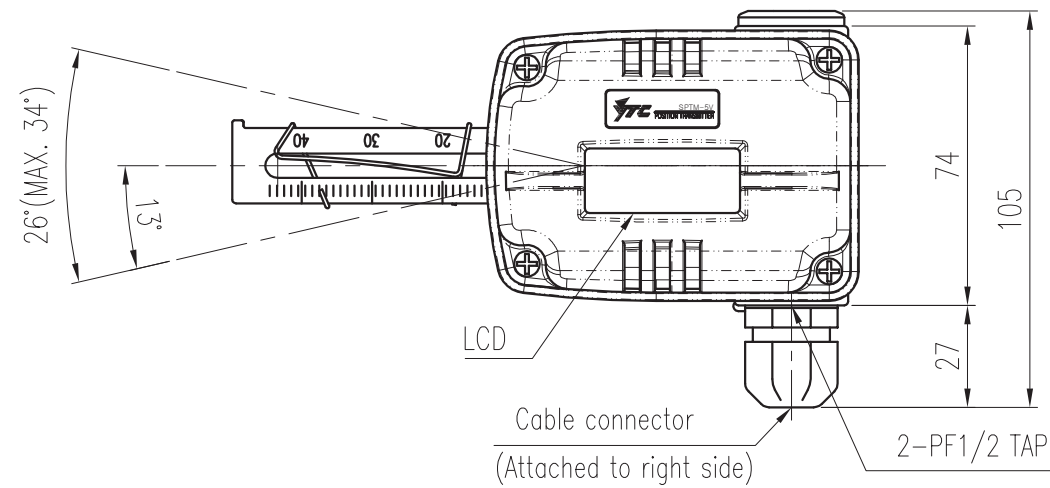


REV.NO.	REVISION DESCRIPTION	DRAWN / DATE	REVIEWED / DATE	APPROVED / DATE
△	ISSUE FOR APPROVAL	KCH/100302	JCS/100302	LYH/100302
△	DRAWING ARRANGEMENT	KBJ/121109	JCS/121109	LYH/121109



Lever Type	Stroke(mm)	L1(mm)	L2(mm)	W(mm)
1	10~40	93.0	67.0	20.0
2	20~70	153.5	106.5	
3	50~100	214.0	117.0	
4	100~150	307.3		

4	MAIN SHAFT	STS303	1
3	FEEDBACK LEVER	STS304	1
2	BASE COVER	ALDC12	1
1	BASE BODY	ALDC12	1
NO.	PART NAME	MATERIAL	Q'TY

SPECIFICATIONS

Input Type	2 Wire	
Output	4 ~ 20mA DC	
Noise Range	50mVp.p	
Explosion Proof	ExialICT6	
Protection	IP 67	
Input Signal	0 ~ 30°	
Load Resistance	Max. 880 Ohm / 28V DC	
Stroke	10~150mm	
Lever Type	<input type="checkbox"/> 10~40mm	<input type="checkbox"/> 20~70mm
	<input type="checkbox"/> 50~100mm	<input type="checkbox"/> 100~150mm
Connection	PF 1/2, (G 1/2)	
Ambient Temp.	Operating	-30 ~ 85 °C (-22 ~ 185 °F)
	Explosion	-20 ~ 60 °C (-4 ~ 140 °F)
Linearity	±1% F.S.	
Hysteresis	±0.2% F.S.	
Sensitivity	±0.2% F.S.	
Input Voltage	9~28V DC	
Weight	0.6 kg(1.3 lb)	
Material	ALUMINUM DIECASTING	

MIEPL
INDIAN SALES PARTNER

SURFACE TEXTURE	PRODUCT NAME	SMART POSITION TRANSMITTER		PROJECT NAME	
FINISH TREATMENT	MODEL	SPTM-5VL		YOUNG TECH CO., LTD. SEOUL, KOREA	
MATERIAL	PROJECTION	SCALE	TITLE		
OTHERWISE NOTE	GENERAL TOLERANCE	QUANTITY	LINEAR TRANSMITTER ASS'Y DWG		
		1	DRAWING NO.		REV.
			SPTM-5VL		1
			SHEET No.		
			1/1		